

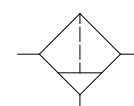
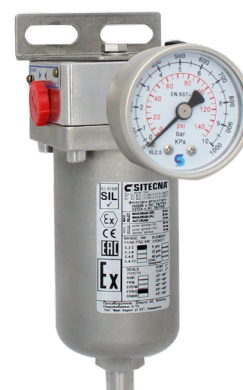
www.sitecna.eu

AISI316L 1/4"NPT filter – F serie

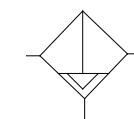
Filtro da 1/4"NPT in AISI316L – serie F

- Suitable to automation equipment, to onshore, offshore, pharmaceutical, medical and food applications
- Full material traceability
- High flow capacity
- ATEX 2014/34/UE II 2G Ex h IIC T6/T5 Gb X
II 2D Ex h IIIC T85°C/T100°C Db X
- & approved /IP66

- Adatto per automazione in applicazioni marine, petrolchimiche, farmaceutiche, medicali e alimentari.
- Completa rintracciabilità dei materiali
- Elevate portate
- ATEX 2014/34/UE II 2G Ex h IIC T6/T5 Gb X
II 2D Ex h IIIC T85°C/T100°C Db X
- Approvato ed /IP66



Manual Drain



Automatic Drain

Media / Fluido	Compressed air, inert gases, sweet and sour gases
Port thread / Connessioni	1/4"
Gauge Connection Connessione manometro	1/8"NPT (1/4"NPT option)
Filtering element Elemento filtrante	Coalescing or 3, 5, 25, 40 micron in st. st. 316
Max inlet pressure Pressione massima di ingresso	30bar (16bar automatic drain version)
Drain valve / Scarico condensa	manual or automatic
Flow Rate (@6 bar Inlet pressure, delta P=0.5bar)/ Portata	1/4" - 1000dm ³ /min Cv=1,4 1/2" - 4815dm ³ /min Cv=6,6
Working Temperature Temperatura di esercizio	-20°C up to 80°C (NBR); -25°C up to 90°C (FKM); -40°C up to 80°C (EPDM); -60° up tp 90°C (FVMQ)*

Air supply must be dry enough to avoid ice formation at temperatures below +2°C (+35°F).

*Special version in HNBR (WT -60°C + 90°C)

It provides excellent filtration for a wide range of applications. Rugged and corrosion resistant - made of 316/316L stainless steel.

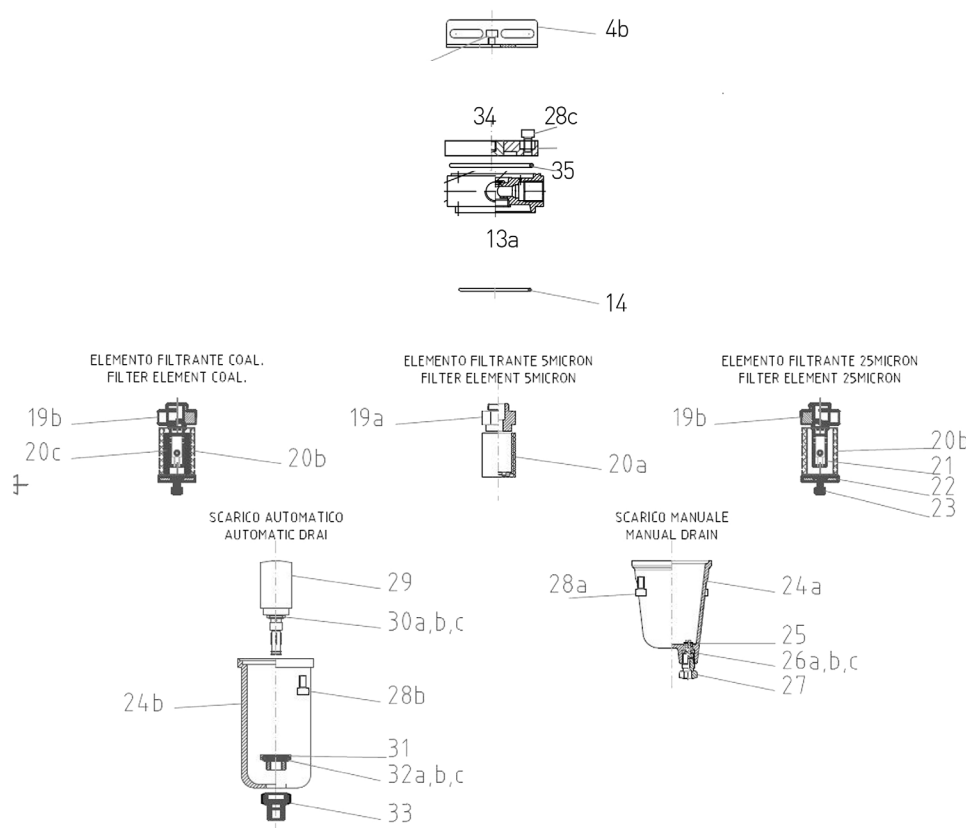
Permette una filtrazione accurata per una vasta gamma di applicazioni. Robusto e resistente alla corrosione - costruito in AISI316/316L.

BUILDING MATERIALS	Materiali costruttivi
Body, bonnet, bowl in Stainless steel AISI316/316L	Corpo, coperchio, tazza in acciaio inossidabile AISI316/316L
Inyternals, bracket, lock and panel nuts, fixing screws in stainless steel	Parti interne, staffa, dadi di bloccaggio e pannello, viti di fissaggio in acciaio inossidabile
Seals in elastomer	Tenute in elastomero
3, 5, 25, 40 micron filtering element in AISI316 stainless steel	Elemento filtrante da 3, 5, 25 e 40 micron in acciaio inossidabile AISI316
Coalescing filtering element in bonded micro-fibre	Elemento filtrante a coalescenza in microfibra

BT-F04SS/C22A

Product exploded view

Esploso del prodotto



Pos.	Q.ty	Description	Descrizione
3	1	BRACKET NUT	DADO STAFFA
4b	1	BRACKET	STAFFA
13b	1	BODY	CORPO
13b	1	COALESCING BODY	CORPO A COALESCIENZA
14	2	O-RING	O-RING
19a	1	FILTER ELEMENT SUPPORT 5mic	SUPPORTO ELE. FILTRANTE 5 MIC
19b	1	FILTER ELEMENT SUPPORT 25mic	SUPPORTO ELE. FILTRANTE 25 MIC
20a	1	FILTER ELEMENT 5 MICRON	ELEMENTO FILTRANTE 5 MIC
20b	1	FILTER ELEMENT 25 MICRON	ELEMENTO FILTRANTE 25 MIC
20c	1	FILTER ELEMENT COALESCING	ELEMENTO FILTRANTE COALESC.
21	1	FILTER ELEMENT SUPPORT	SUPPORTO ELE. FILTRANTE
22	1	FILTER ELEMENT CASEBACK	BASE ELEMENTO FILTRANTE
23	1	SCREW M4X6	VITI M4X6
24a	1	MANUAL DRAIN BOLW	TAZZA SCARICO MANUALE
24b	1	AUTOMATIC DRAIN BOLW	TAZZA SCARICO AUTOMATICO
25	1	BENZIN	ANELLO BENZIN
26	1	O-RING	O-RING
27	1	MANUAL DRAIN	SCARICO MANUALE
28a	4	SCREW MAN. DRAIN M5X10	VITI SCARICO MANUALE M5X10
28b	4	SCREW AUTO DRAIN M5X16	VITI SCARICO AUTO M5X16
29	1	AUTOMATIC DRAIN	SCARICO AUTOMATICO
30	1	O'RING AUTO DRAIN	O'RING SCARICO AUTO
31	1	AUTOMATIC DRAIN SEAT	SEDE SCARICO AUTOMATICO
32	1	O'RING AUTOM. DRAIN	O'RING SCARICO AUTO
33	1	AUTOMATIC DRAIN SEAT	SEDE SCARICO AUTOMATICO

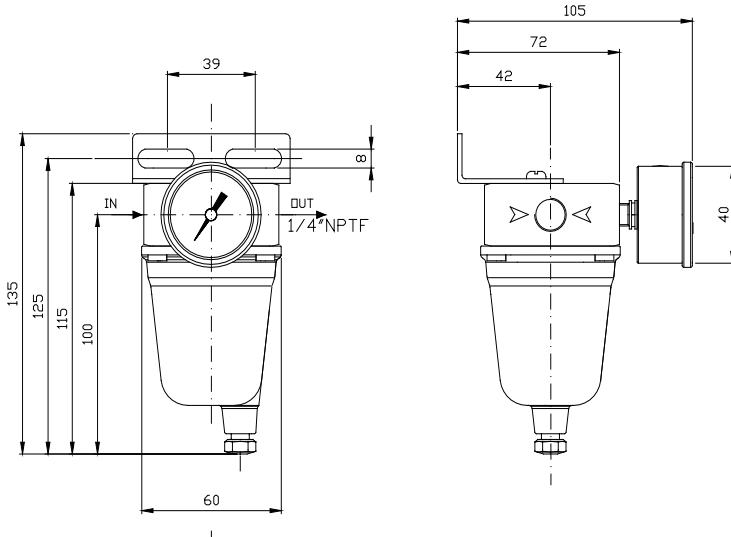
www.sitecna.eu

Overall dimension

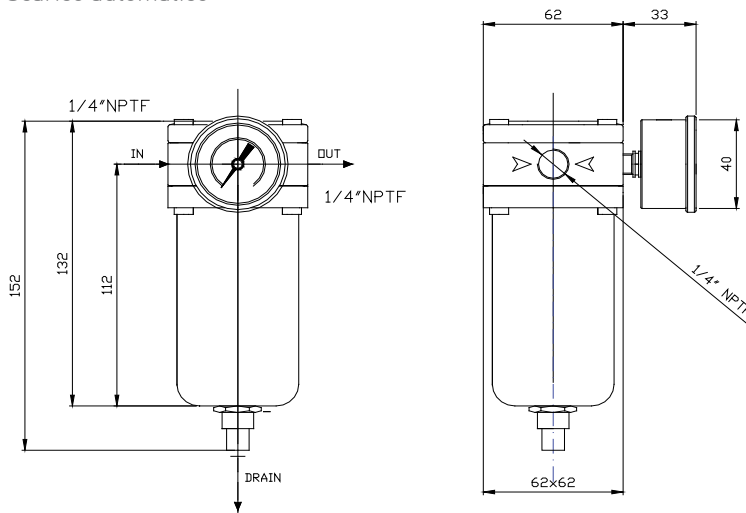
Dimensioni di ingombro

Manual drain Scarico manuale

F04 A = 1/4"



Automatic drain Scarico automatico



Note for automatic drain:
- max inlet pressure 16bar
- not recommended for T<2°C

Nota per scarico automatico:
- massima pressione di utilizzo 16bar
- non raccomandato per T<2°C

Accessories and repair kit

Accessori e ricambi

Maintenance kit / Kit manutenzione	Items K-F04-* -SS-** [1/4"]
Pressure gauge DN40mm, all SS Bar+psi+kpa range / Manometro DN40mm, tutto inox, scala Bar+psi+kpa	0-2,5 bar MBS6P4S2PN04 0-4bar MBS6P4S2PN05 0-10bar MBS6P4S2PN07
Bracket / Staffa	SQ-FR04/S

* Refers to filter element option: 1→5 micron; 2→25 micron; 3→40 micron ; 4→coalescing; 5→3 micron

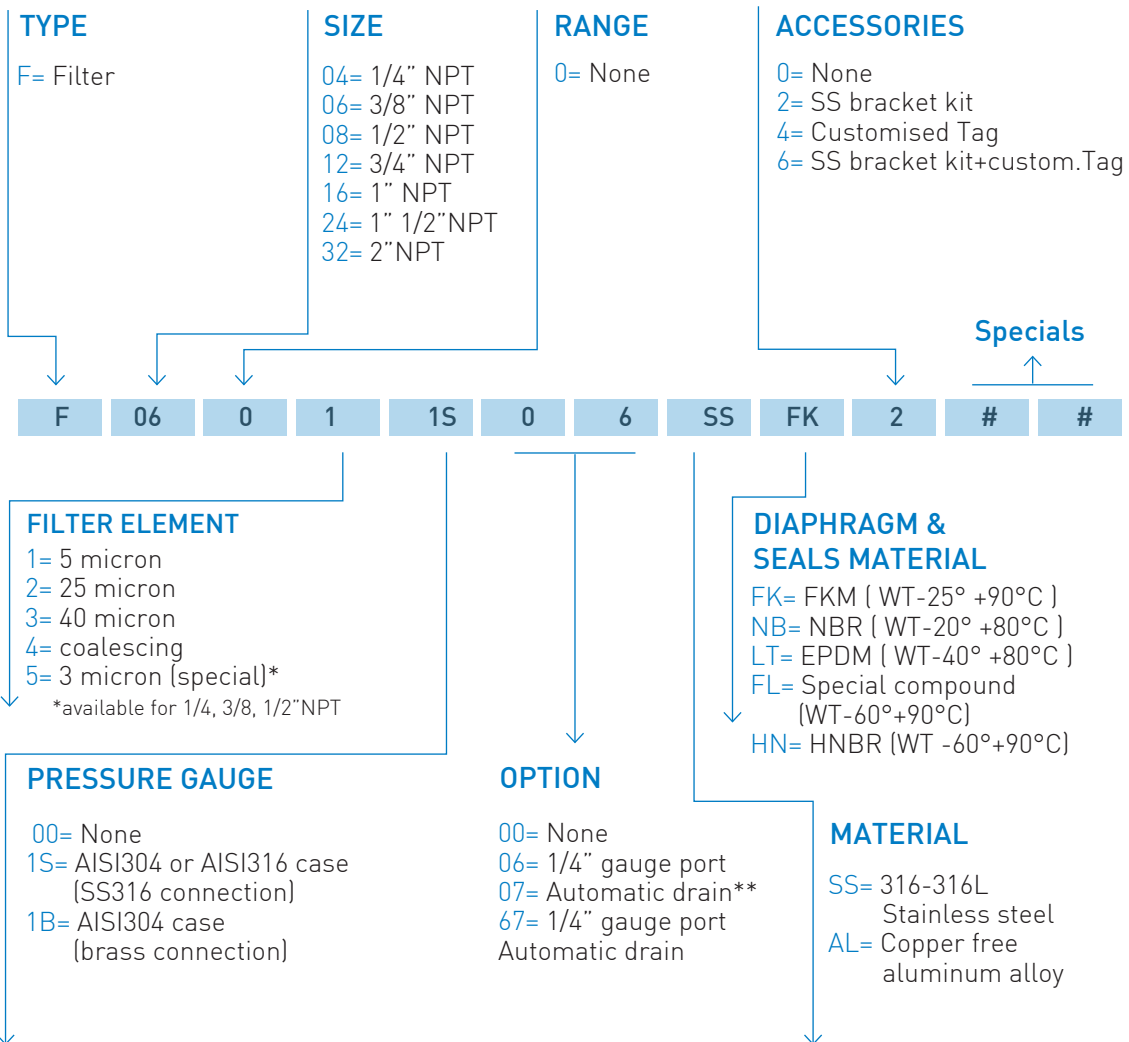
** Refers to seals type: FK→FKM NB→NBR LT→EPDM FL→FVMQ HN→HNBR

BT-F04SS/C22C

Ordering information - Filters

Come ordinare - Filtri

www.sitecna.eu



CODE EXAMPLES

F 04 0 4 1S 0 0 SS FK 2

1/4" NPT, SS316 filter regulator, with coalescing filtering element, SS pressure gauge, manual drain, ss bracket kit and FKM diaphragm & seals
 Filtro da 1/4" NPT in AISI316, elemento filtrante da coalescenza, manometro tutto inox, scarico condensa manuale, staffa inox, diaframma e tenute in FKM

F 32 0 1 00 0 7 AL NB 0

2" NPT, aluminum alloy filter, with 5 micron filtering element, automatic drain and NBR diaphragm & seals
 Filtro da 2" NPT in alluminio esente rame, elemento filtrante da 5 micron, scarico condensa automatico, diaframma e tenute in FKM



**** Nota for automatic drain: use not recommended for T < 2°C (under this T the moisture in the medium could freeze and cause drain malfunction or breaking) / Nota per scarico automatico: uso non raccomandato per T < 2°C (sotto questa T la condensa può ghiacciare e causare malfunzionamenti o rotture).**

01-F/22A