

Copper free aluminum alloy 3/4"-1"NPT filter – F serie

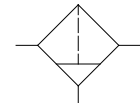
Filtro da 3/4" - 1"NPT in lega di alluminio esente rame – serie F

www.sitecna.eu

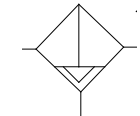
- Suitable for automation equipment to onshore, offshore, pharmaceutical, medical and food applications
- Full material traceability
- High flow capacity
- ATEX 2014/34/UE II 2G Ex h IIC T6/T5 Gb X
II 2D Ex h IIIC T85°C/T100°C Db X
- & approved / IP66

- Adatto per automazione in applicazioni marine, petrolchimiche, farmaceutiche, medicali e alimentari
- Completa rintracciabilità dei materiali
- Elevate portate
- ATEX 2014/34/UE II 2G Ex h IIC T6/T5 Gb X
II 2D Exh IIIC T85°C/T100°C Db X

- Approvato ed / IP66



Manual Drain



Automatic Drain

Media / Fluido	Compressed air, inert gases, sweet and sour gases
Port thread / Conessioni	3/4"-1" NPT
Gauge Connection Connessione manometro	1/4"NPT (1/8"NPT option)
Filtering element Elemento filtrante	Coalescing or 5, 25, 40 micron in st. st. 316
Max inlet pressure / Pressione massima di ingresso	25bar (16bar automatic drain version)
Drain valve/ Scarico condensa	Manual or automatic
Flow Rate (at 6 bar Inlet pressure, delta P=0.35bar)/ Portata	3/4" - 7500dm³/min Cv=12,2 1" - 10000dm³/min Cv=16,3
Working temperature / Temperatura di esercizio	-20°C up to 80°C (NBR); -25°C up to 90°C (FKM); -40°C up to 80°C (EPDM); -55° up tp 90°C (FVMQ)*

Air supply must be dry enough to avoid ice formation at temperatures below +2°C (+35°F).

*Special version in HNBR (WT -55°C + 90°C)

It provides excellent filtering for a wide range of applications. Rugged and corrosion-resistant – made of barstock aluminium alloy and AISI304/316 / Permette una filtrazione accurata per una vasta gamma di applicazioni. Robusto e resistente alla corrosione – Costruito in lega di alluminio tropicalizzata e AISI304/316

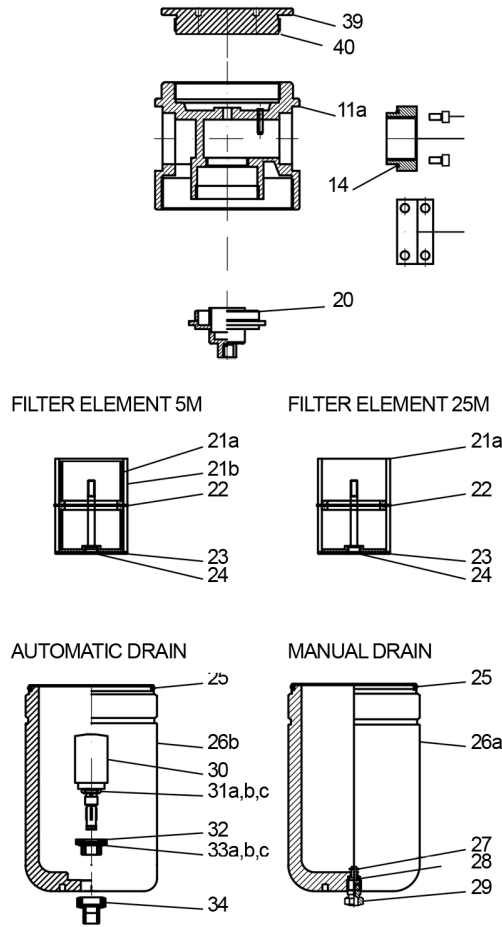
BUILDING MATERIALS	Materiali costruttivi
Body, bonnet, bowl in tropicalized aluminium	Corpo, coperchio, tazza in lega di alluminio tropicalizzata
Internals, bracket, lock and panel nuts, fixing screws in stainless steel	Particolari interni, staffa, dadi di bloccaggio a pannello, viti di fissaggio in acciaio inossidabile
Seals in elastomer	Tenute in elastomero
5, 25 & 40 micron filtering element in AISI316 stainless steel	Elemento filtrante da 5, 25 e 40 micron in acciaio inossidabile AISI316
Coalescing filtering element in bonded micro-fibre	Elemento filtrante a coalescenza in microfibra

BT-F16AL/C20A

Product exploded view

Esploso del prodotto

www.sitecna.eu



Pos.	Q.ty	Description	Descrizione
11a	1	BODY	CORPO
13	2	CONNECTION	FLANGE
14	2	O'RING 37,82X1,78	O'RING 37,82X1,78
15	2	BRACKET	STAFFA
20	1	FILTER ELEMENT SUPPORT	SUPPORTO ELE. FILTRANTE
21a	2	FILTER ELEMENT 5 MICRON	ELEMENTO FILTRANTE 5 MIC
21b	2	FILTER ELEMENT 25 MICRON	ELEMENTO FILTRANTE 25 MIC
22	1	FILTER ELEMENT RING	ANELLO ELEMENTO FILTRANTE
23	1	FILTER ELEMENT PLUG	BASE ELEMENTO FILTRANTE
24	1	FILTER ELEMENT SCREW	VITE ELEMENTO FILTRANTE
25	1	O'RING BOWL 88,58x2,62	O'RING TAZZA 88,58x2,62
26a	1	MANUAL DRAIN BOWL	TAZZA SCARICO MANUALE
26b	1	AUTOMATIC DRAIN BOWL	TAZZA SCARICO AUTOMATICO
27	1	BENZIN	ANELLO BENZIN
28	1	O'RING DRAIN 3,69x1,78	O'RING DRAIN 3,69x1,78
29	1	MANUAL DRAIN	SCARICO MANUALE
30	1	AUTOMATIC DRAIN	SCARICO AUTOMATICO
31	1	O'RING AUTO DRAIN 9,92 X 2,62	O'RING SCARICO AUTO 9,92x2,62
32	1	AUTOMATIC DRAIN SEAT	SEDE SCARICO AUTOMATICO
33	1	O'RING AUTO DRAIN 15,54X2,62	O'RING SCARICO AUTO 15,54x2,62
34	1	AUTOMATIC DRAIN SEAT	SEDE SCARICO AUTOMATICO
35	8	SCREW M5x16 DIN 912 A2	VITI M5X16
39	1	FILTER TOP	PIATTELLO SUPERIORE
40	1	O'RING 61,62x2,62	O'RING 61,62x2,62

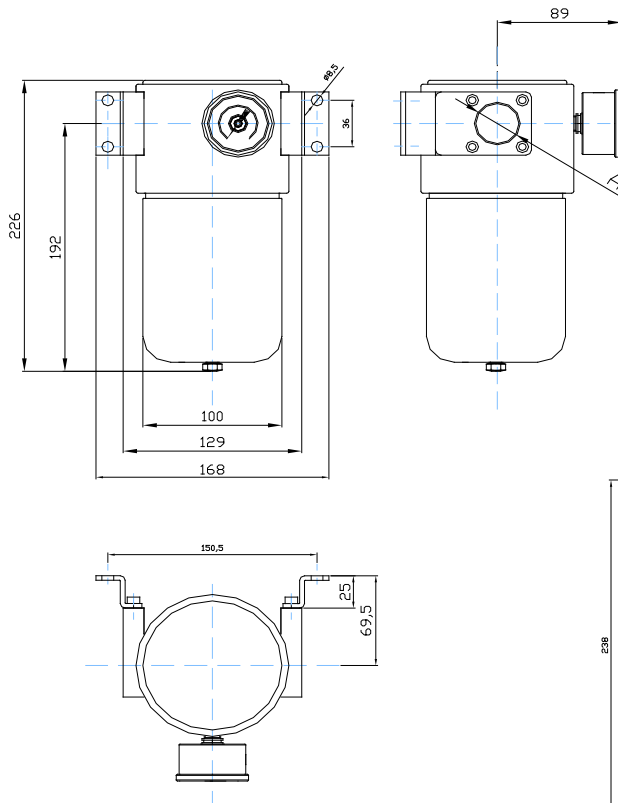
BT-F16AL/C20B

Overall dimension

Dimensioni di ingombro

Manual drain

Scarico manuale

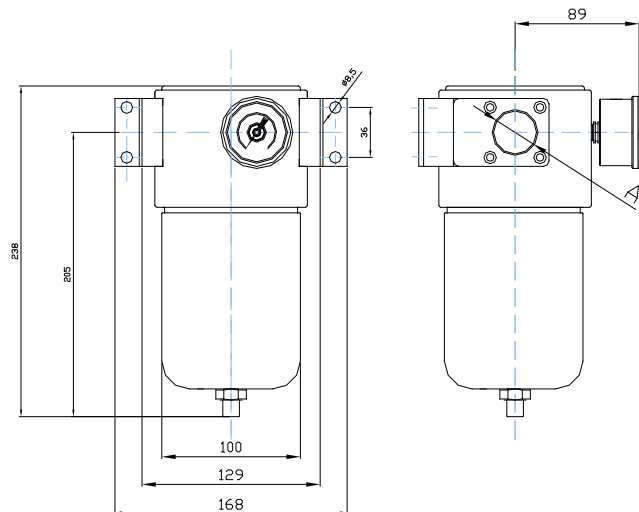


F12 A = 3/4"

F16 A = 1"

Automatic drain

Scarico automatico

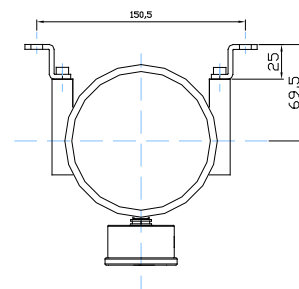


Note for automatic drain:

- max inlet pressure 16bar
- not recommended for $T < 2^{\circ}\text{C}$

Nota per scarico automatico:

- massima pressione di utilizzo 16bar
- non raccomandato per $T < 2^{\circ}\text{C}$



Accessories and repair kit

Accessori e ricambi

Maintenance kit / Kit manutenzione	Items K-F16- *-AL- **
Pressure gauge DN40mm, SS case, Bar+psi+kpa range / Manometro DN40mm, cassa inox, scala Bar+psi+kpa	0-2bar MBSNP4S2PN3S 0-4bar MBSNP4S2PN05 0-10bar MBSNP4S2PN07
Bracket / Staffa	SQ-FR16

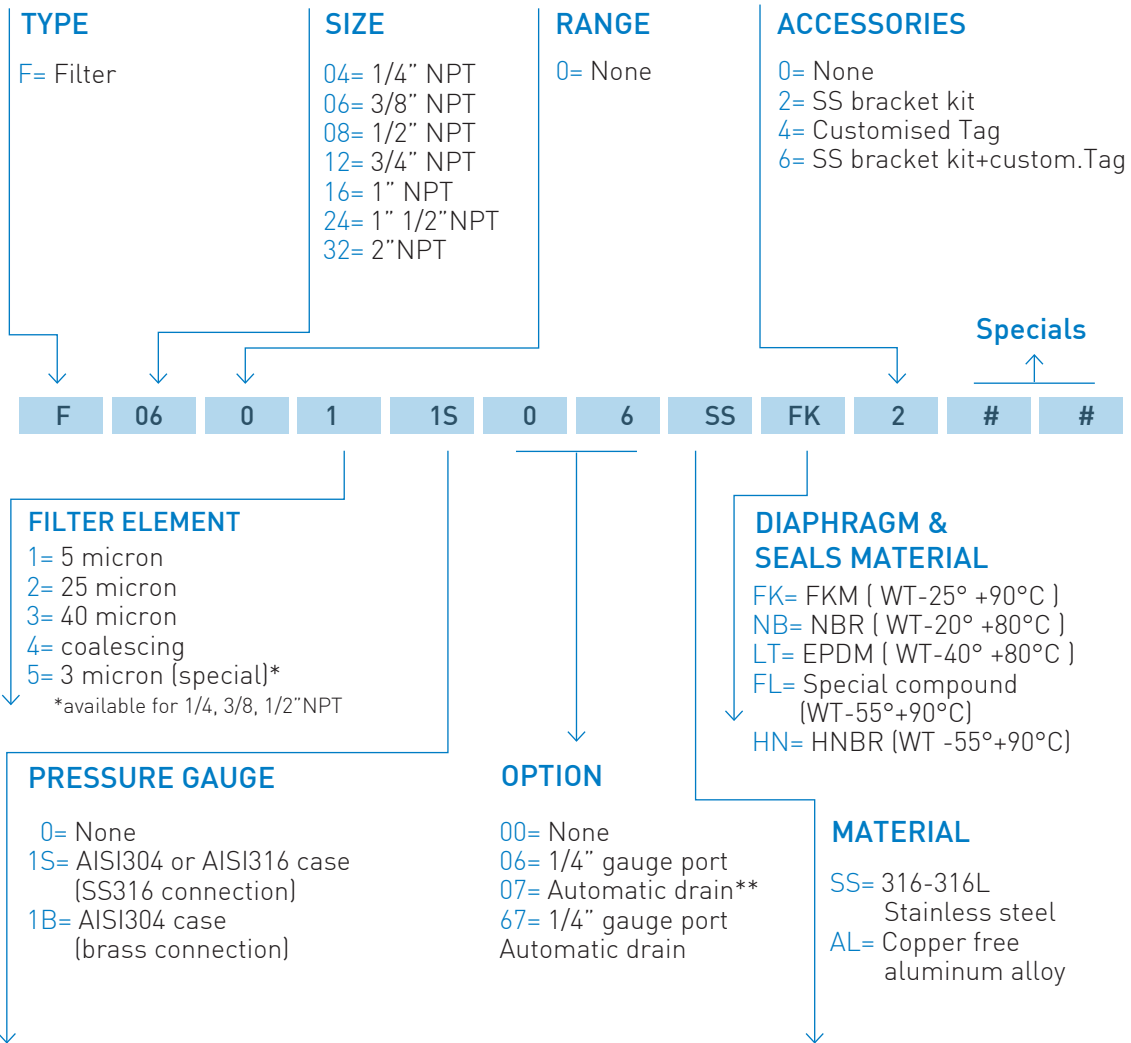
* Refers to filter element option: 1→5 micron 2→25 micron 3→40 micron 4→coalescing

** Refers to seals type: FK→FKM NB→NBR LT→EPDM FL→FVMQ HN→HNBR

Ordering information - Filters

Come ordinare - Filtri

www.sitecna.eu



CODE EXAMPLES

F
04
0
4
1S
0
0
SS
FK
2

1/4" NPT, SS316 filter regulator, with coalescing filtering element, SS pressure gauge, manual drain, ss bracket kit and FKM diaphragm & seals
 Filtro da 1/4" NPT in AISI316, elemento filtrante da coalescenza, manometro tutto inox, scarico condensa manuale, staffa inox, diaframma e tenute in FKM

F
32
0
1
00
0
7
AL
NB
0

2" NPT, aluminum alloy filter, with 5 micron filtering element, automatic drain and NBR diaphragm & seals
 Filtro da 2" NPT in alluminio esente rame, elemento filtrante da 5 micron, scarico condensa automatico, diaframma e tenute in FKM



**** Nota for automatic drain: use not recommended for T > 2°C (under this T the moisture in the medium could freeze and cause drain malfunction or breaking) / Nota per scarico automatico: uso non raccomandato per T > 2°C (sotto questa T la condensa può ghiacciare e causare malfunzionamenti o rotture).**