

1. INTRODUCTION

Throughout this manual there are a number of HAZARD WARNINGS that must be read and adhered to in order to prevent possible personal injury and/or damage to equipment. Three signal work “DANGER”, “WARNING” and “CAUTION” are used to indicate the severity of a hazard, and are preceded by the safety alert symbol.

Danger Denotes the most serious hazard and is used when serious injury or death WILL result from misuse or failure to follow specific instructions.

Warning Used when serious injury or death MAY result from misuse or failure to follow specific instructions.

Caution Used when injury or product/equipment damage may result from misuse or failure to follow specific instructions.

Caution It is the responsibility and duty of all personnel involved in the installation, operation and maintenance of the equipment on which this device is used, to fully understand the procedures by which hazards can be avoided.

The compatibility of the product is the responsibility of the person who designs the equipment or decides its specifications.

Only personnel with appropriate training should operate machinery and equipment.

Do not service or attempt to remove the machinery or equipment until safety is confirmed.

2. DESCRIPTION

Before you can feed a system with a fluid, it must be processed to remove coarse contaminants.

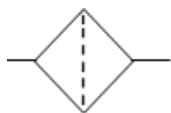
These filters are designed to remove airborne solid which may plug small orifices and hinder performance or cause excessive wear and premature equipment failure.

3. OPERATION

In these devices the fluid is forced to pass through a porous element to shut out any impurities such as foreign bodies of different sizes.

The porous element is enclosed in a container that is used to collect all the impurities. The contaminants are eliminating by replacing the filter element

4. PNEUMATIC DIAGRAM



5. TECHNICAL FEATURES

Medium: compressed air, inert gases, sweet and sour gases

Port thread: 1/4" NPT

Filtration: : 5 micron

Max inlet pressure: 70 bar

Orifice: DN 6.5mm

Materials: SS316

MATERIAL		TEMPERATURE		
DIAPHRAGM	SEALS	TRANSPORT	STORAGE	OPERATING
NBR	NBR	-20°C...+80°C	-20°C...+80°C	-20°C...+80°C
FKM	FKM	-25°C...+90°C	-25°C...+90°C	-25°C...+90°C
EPDM	EPDM	-40°C...+80°C	-40°C...+80°C	-40°C...+80°C
HNBR	HNBR	-55°C...+90°C	-55°C...+90°C	-55°C...+90°C

6. TRANSPORTATION & STORAGE

The preferred storage location is a clean, dry and protected warehouse. If the components have to be stored outside, precautions should be taken to keep valves clean and dry. For storage temperatures, refer to the table in paragraph “TECHNICAL FEATURES”.

To avoid contamination of impurities during the storage period, don't remove thread protection caps; remove them just before the installation phase.

7. INSTALLATION

Warning Before performing any work, read this manual and study all figures. Assure yourself that you understand and you can do what is required in each step. Failure to follow these instructions may affect quick release valve operation and may result in exposure to personal injury.

Before installing the valve, set and block the machine or equipment in a secure position; close the air shutoff valve and exhaust air from air lines and disconnect all electrical power.

- Upstream of lubricators and cycling valves
- As close as possible to the air supply when used as a main line filter
- As close as possible to the device being serviced when used as a final filter

8. MOUNTING

- Connect piping to proper ports using pipe thread sealant on male threads only. Do not allow sealant to enter interior of unit.
- Anydirection

9. TESTING

After mounting the device apply inlet pressure and check any leakages upstream and downstream.

10. MAINTENANCE

Warning Before performing any work, read this manual and study all figures. Assure yourself that you understand and can do what is required in each step. Failure to follow these instructions may affect quick release valve operation and may result in exposure to personal injury.

Before uninstalling the valve, set and block the machine or equipment in a secure position; close the air shutoff valve and exhaust air from air lines; disconnect all electrical power.

•A.Ordinary maintenance

Caution The filter should be periodically checked for proper functioning:

- Clean the valve from impurities and dirt;
- Visually check of the integrity of the body
- Check that there aren't leakages;
- Check the correct functionality
- If necessary, change filter (2) and seals (4)

11. MARKING ACCORDING TO 2014/34/UEAtex

II 2G Ex h IIC T6/T5 Gb X
II 2D Ex h IIIC T85°C/T100°C Db X

For using these equipment in potentially explosive atmospheres, it is recommended - for the installation and the maintenance operation - to use tools and instruments that can produce only a single spark (for instance: screwdrivers, spanners). Avoid use of tools that can produce sparks like disk saw or grinder.

Action must be taken to put to earth the units through a suitable connection, checking that all the metal components (fittings and pipe line) have to be equitable potential.

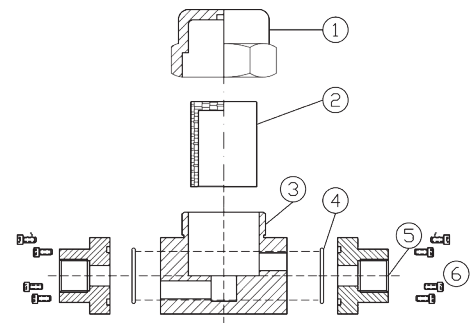
Equipment have to be installed in the corresponding zone according to the marking.

NOTE: special conditions for safe use (X conditions)

Before performing any work, read this manual and assure yourself you understand. X at the end of ATEX substitutes T amb depending on used seals based on the following correspondance:

- Series VB, EP, VSR, LK04:
NBR=-20°C+80°C, FMK=-25°C+90°C,
EPDM= -40°C+80°C, FVMQ & HNBR= -60°C+90°C
- Series: DP, RF, LK08, TF:
NBR=-20°C+80°C, FMK=-25°C+90°C,
EPDM= -40°C+80°C, FVMQ & HNBR= -55°C+90°C
- Serie FP: -30°+180°C
- Series SLHF, SLVP, SLSC: -55°C+150°C
- Serie PV, PVSL: -20°C + 80°C
- Serie SCLP: 2°C+80°C
- Serie FLGS: -20°C+90°C
- Serie VS: -50°C+230°C

PART LIST



Pos.	Q.ty	Description
1	1	Top
2	1	filter element
3	1	body
4	2	O'ring
5	2	connection
6	8	connection screws

REPAIRING KIT

Contains: 2, 4

Dichiarazione di conformità UE
In accordo con la Direttiva Europea 2014/34/UE

EU-Declaration of Conformity
In accordance with Directive 2014/34/EU

Noi, Sitecna Srl, dichiariamo che i seguenti prodotti / Sitecna Srl declares that the following equipment:

Product	mod.	Product	mod.	Product	mod.
Filter	F	Control spool valve	DP	Vacuum pump	ST-VP
Regulator	R	Poppet Valves	EP	Silencer	SLHF, SLVP, SLSC
Filter Regulator	FR	Quick exhaust valve	VSR	Dust excluder	PV, PVSL
Back Pressure valve	BP	Lock-up valve	LK	Pressure gauge	MBSS, MBS6, MBSN
2 ways switching valve	SV	Overload protector	SCLP	Vacuum pump	ST-VP
3 ways switching valve	S3	Flow regulator	RF	Ball valve	VS
Volume Booster	VB	Tee Filter	TF		

Sono conformi alla normativa di armonizzazione dell'Unione / They comply with the Union harmonization legislation:

Direttiva 2014/34/UE ATEX	Direttiva 2014/34/UE del Parlamento europeo e del Consiglio, del 26 febbraio 2014, concernente l'armonizzazione delle legislazioni degli Stati membri relative agli apparecchi e sistemi di protezione destinati a essere utilizzati in atmosfera potenzialmente esplosiva (rifusione) Testo rilevante ai fini del SEE.
	Directive 2014/34/EU of the European Parliament and of the Council of 26 February 2014 on the harmonisation of the laws of the Member States relating to equipment and protective systems intended for use in potentially explosive atmospheres (recast) Text with EEA relevance.

Secondo le seguenti Norme di riferimento / As per following reference Normative Documents:

EN ISO 80079-36:2016	Atmosfere esplosive - Apparecchi non elettrici per atmosfere esplosive - Metodo di base e requisiti
	Explosive atmospheres - Non-Electrical equipment for explosive atmospheres - Basic method and requirements
EN ISO 80079-37:2016	Atmosfere esplosive - Apparecchi non elettrici per atmosfere esplosive - Tipo di protezione non elettrica per sicurezza costruttiva "c", per controllo della sorgente di accensione "b", per immersione in liquido "k"
	Explosive atmospheres - Non-Electrical equipment for explosive atmospheres - Non-electrical type of protection constructional safety "c", control of ignition sources "b", liquid immersion "k"
N 1127-1:2011	Atmosfere esplosive - Prevenzione dell'esplosione e protezione contro l'esplosione - Concetti fondamentali e metodologia
	Explosive atmospheres - Explosion prevention and protection - Basic concepts and methodology

Ai sensi della Direttiva 2014/34/EU, i prodotti sopra indicati riportano la seguente marcatura / According to the Directive 2014/34/EU, above mentioned products reports the following marking:



II 2G Ex h IIC T6/T5 Gb X
II 2D Ex h IIIC T85°C/T100°C Db X

Inoltre, ai sensi della direttiva 2014/34/UE, i prodotti sopra menzionati sono oggetto, per gli aspetti relativi sia alla progettazione sia alla fabbricazione, al controllo interno di fabbricazione (Allegato VIII – Modulo A). Ref 557/Ex-Ab 3213/20 c/o N° 0035 TÜV Rheinland.

In conformity to Directive 2014/34/EU, the afore mentioned equipment, regarding their design and production, are object to internal manufacturing check (Attachment VIII – Module A). Ref 557/Ex-Ab 3213/20 c/o N° 0035 TÜV Rheinland.

La presente dichiarazione di conformità è rilasciata sotto la responsabilità esclusiva del fabbricante.

This declaration of conformity is issued under exclusive responsibility of the manufacturer.

Milan, 08/02/2022
Davide Matteo De Corrado
Managing Director

