




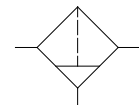


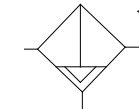
AISI316L 3/4"-1"NPT filter – F serie

Filtro da 3/4" - 1"NPT in AISI316L – serie F

- Suitable to automation equipment, to onshore, offshore, pharmaceutical, medical and food applications
- Full material traceability
- High flow capacity
- ATEX 2014/34/UE  II 2G Ex h IIC T6/T5 Gb X
II 2D Ex h IIIC T85°C/T100°C Db X
-  &  approved /IP66
- Adatto per automazione in applicazioni marine, petrolchimiche, farmaceutiche, medicali e alimentari.
- Completa rintracciabilità dei materiali
- Elevate portate
- ATEX 2014/34/UE  II 2G Ex h IIC T6/T5 Gb
II 2D Ex h IIIC T85°C/T100°C Db X
- Approvato  ed  / IP66



Manual Drain



Automatic Drain

Media / Fluido	Compressed air, inert gases, sweet and sour gases
Port thread / Conessioni	3/4"-1" NPT
Gauge Connection Connessione manometro	1/4"NPT (1/8"NPT option)
Filtering element Elemento filtrante	coalescing or 5, 25, 40 micron in st. st. 316
Max inlet pressure / Pressione massima di ingresso	30bar (16bar automatic drain version)
Drain valve/ Scarico condensa	Manual or automatic
Flow Rate (at 6 bar Inlet pressure, delta P=0.35bar)/ Portata	3/4" - 7500dm ³ /min Cv=12,2 1" - 10000dm ³ /min Cv=16,3
Working temperature / Temperatura di esercizio	-20°C up to 80°C (NBR); -25°C up to 90°C (FKM); -40°C up to 80°C (EPDM); -55° up tp 90°C (FVMQ)*

Air supply must be dry enough to avoid ice formation at temperatures below +2°C (+35°F).

*Special version in HNBR (WT -55°C + 89°C)

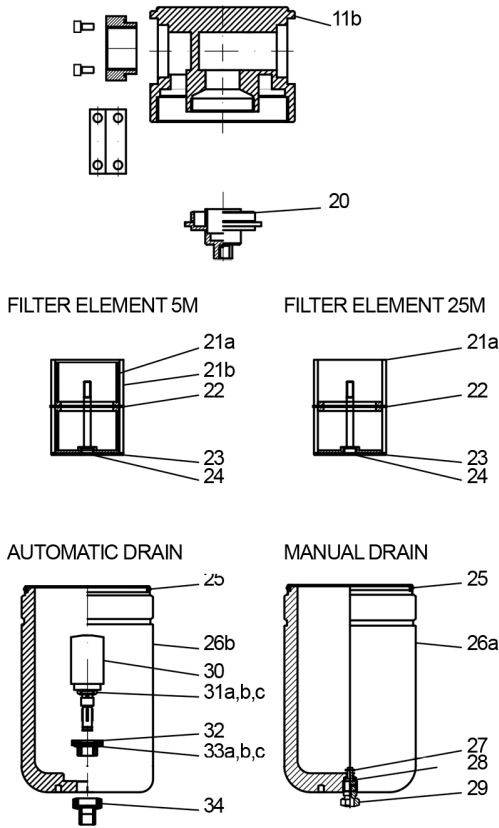
It provides excellent filtering for a wide range of applications. Rugged and corrosion-resistant – made of 316L stainless steel / Permette una filtrazione accurata per una vasta gamma di applicazioni. Robusto e resistente alla corrosione – Costruito in acciaio inossidabile 316L

BUILDING MATERIALS	Materiali costruttivi
Body, bonnet, bowl in Stainless steel AISI316/316L	Corpo, coperchio, tazza in acciaio inossidabile AISI316/316L
Inyternals, bracket, lock and panel nuts, fixing screws in stainless steel	Parti interne, staffa, dadi di bloccaggio e pannello, viti di fissaggio in acciaio inossidabile
Seals in elastomer	Tenute in elastomero
5, 25, 40 micron filtering element in AISI316 stainless steel	Elemento filtrante da 5, 25 e 40 micron in acciaio inossidabile AISI316
Coalescing filtering element in bonded micro-fibre	Elemento filtrante a coalescenza in microfibra

Product exploded view

Esploso del prodotto

www.sitecna.eu



Pos.	Q.ty	Description	Descrizione
11b	1	BODY	CORPO
13	2	CONNECTION	FLANGE
14	2	O'RING 37,82X1,78	O'RING 37,82X1,78
15	2	BRACKET	STAFFA
20	1	FILTER ELEMENT SUPPORT	SUPPORTO ELE. FILTRANTE
21a	2	FILTER ELEMENT 5 MICRON	ELEMENTO FILTRANTE 5 MIC
21b	2	FILTER ELEMENT 25 MICRON	ELEMENTO FILTRANTE 25 MIC
22	1	FILTER ELEMENT RING	ANELLO ELEMENTO FILTRANTE
23	1	FILTER ELEMENT PLUG	BASE ELEMENTO FILTRANTE
24	1	FILTER ELEMENT SCREW	VITE ELEMENTO FILTRANTE
25	1	O'RING BOWL 88,58x2,62	O'RING TAZZA 88,58x2,62
26a	1	MANUAL DRAIN BOWL	TAZZA SCARICO MANUALE
26b	1	AUTOMATIC DRAIN BOWL	TAZZA SCARICO AUTOMATICO
27	1	BENZIN	ANELLO BENZIN
28	1	O'RING DRAIN 3,69x1,78	O'RING DRAIN 3,69x1,78
29	1	MANUAL DRAIN	SCARICO MANUALE
30	1	AUTOMATIC DRAIN	SCARICO AUTOMATICO
31	1	O'RING AUTO DRAIN 9,92 X 2,62	O'RING SCARICO AUTO 9,92x2,62
32	1	AUTOMATIC DRAIN SEAT	SEDE SCARICO AUTOMATICO
33	1	O'RING AUTO DRAIN 15,54X2,62	O'RING SCARICO AUTO 15,54x2,62
34	1	AUTOMATIC DRAIN SEAT	SEDE SCARICO AUTOMATICO

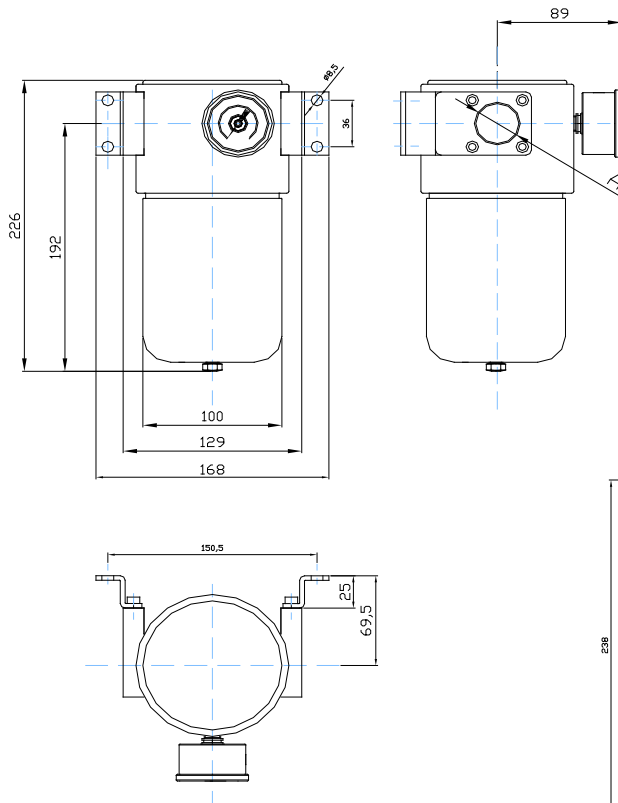
BT-F16SS/C20B

Overall dimension

Dimensioni di ingombro

Manual drain

Scarico manuale

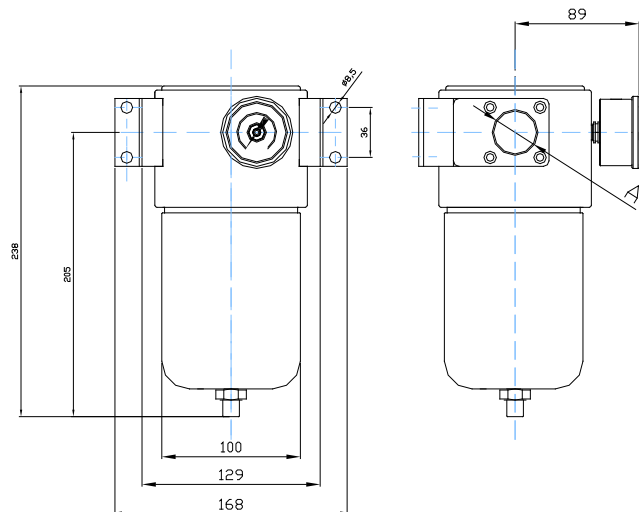


F12 A = 3/4"

F16 A = 1"

Automatic drain

Scarico automatico

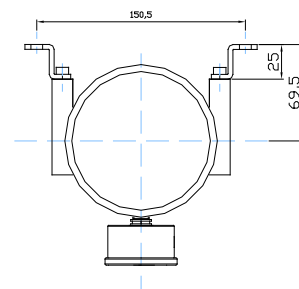


Note for automatic drain:

- max inlet pressure 16bar
- not recommended for $T < 2^{\circ}\text{C}$

Nota per scarico automatico:

- massima pressione di utilizzo 16bar
- non raccomandato per $T < 2^{\circ}\text{C}$



Accessories and repair kit

Accessori e ricambi

Maintenance kit / Kit manutenzione	Items K-F16-*-SS**
Pressure gauge DN40mm, SS case, Bar+psi+kpa range / Manometro DN40mm, tutto inox, scala Bar+psi+kpa	0-2,5 bar MBS6P4S2PN04 0-4bar MBS6P4S2PN05 0-10bar MBS6P4S2PN07
Bracket / Staffa	R-16-STSS

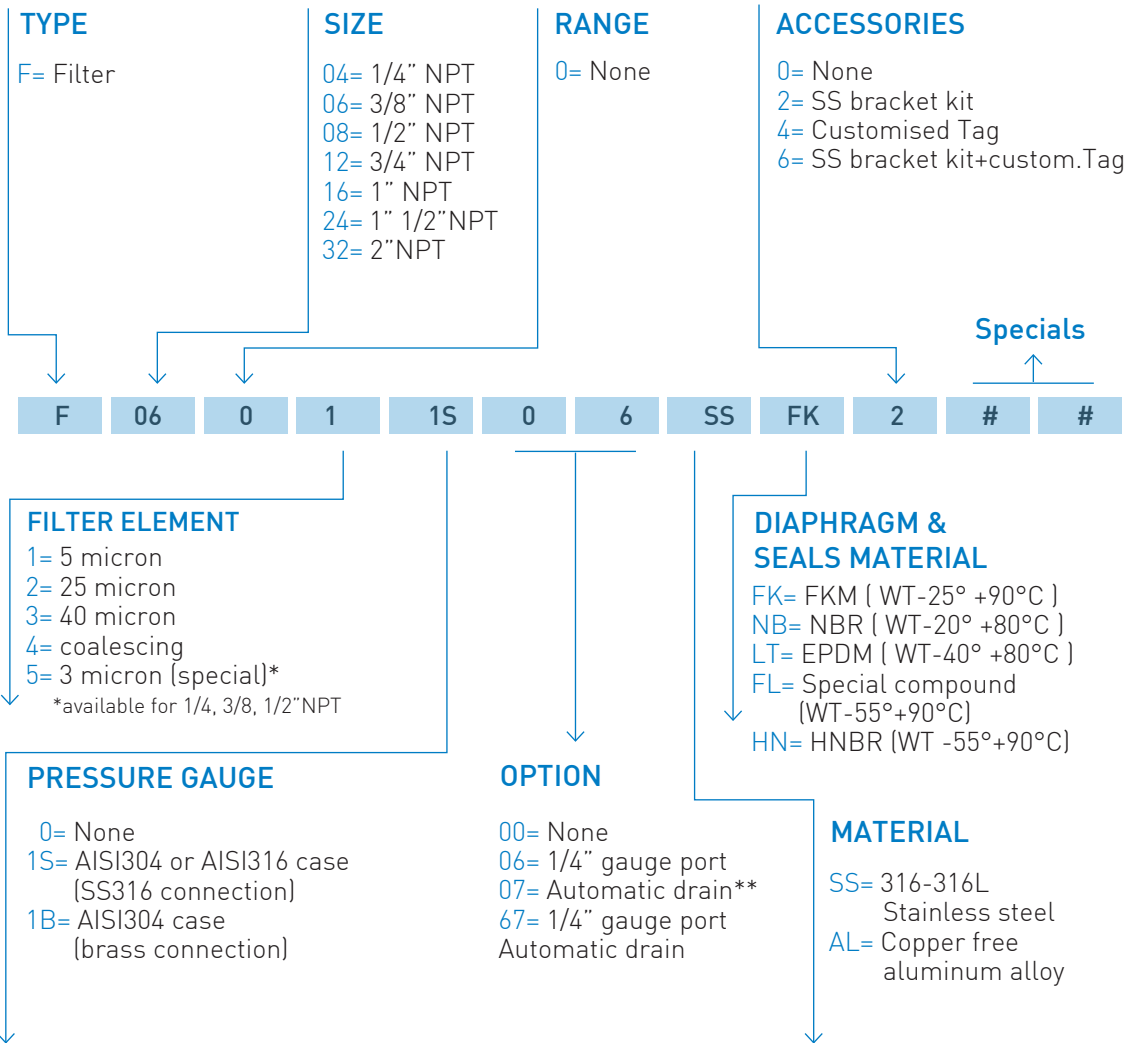
* Refers to filter element option: 1→5 micron; 2→25 micron; 3→40 micron; 4→coalescing

** Refers to seals type: FK→FKM NB→NBR LT→EPDM FL→FVMQ HN→HNBR

Ordering information - Filters

Come ordinare - Filtri

www.sitecna.eu



CODE EXAMPLES

F	04	0	4	1S	0	0	SS	FK	2		
---	----	---	---	----	---	---	----	----	---	--	--

1/4" NPT, SS316 filter regulator, with coalescing filtering element, SS pressure gauge, manual drain, ss bracket kit and FKM diaphragm & seals
 Filtro da 1/4" NPT in AISI316, elemento filtrante da coalescenza, manometro tutto inox, scarico condensa manuale, staffa inox, diaframma e tenute in FKM

F	32	0	1	00	0	7	AL	NB	0		
---	----	---	---	----	---	---	----	----	---	--	--

2" NPT, aluminum alloy filter, with 5 micron filtering element, automatic drain and NBR diaphragm & seals
 Filtro da 2" NPT in alluminio esente rame, elemento filtrante da 5 micron, scarico condensa automatico, diaframma e tenute in FKM



**** Nota for automatic drain: use not recommended for T > 2°C (under this T the moisture in the medium could freeze and cause drain malfunction or breaking) / Nota per scarico automatico: uso non raccomandato per T > 2°C (sotto questa T la condensa può ghiacciare e causare malfunzionamenti o rotture).**