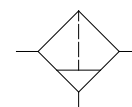


## AISI316L 1/4" - 1/2" NPT high pressure filter – F serie 60B

Filtro per alte pressioni da 1/4" - 1/2"NPT in AISI316L – serie F 60B

- Suitable to automation equipment, to onshore, offshore, pharmaceutical, medical and food applications
- Full material traceability
- High flow capacity
- Adatto per automazione in applicazioni marine, petrol-chimiche, farmaceutiche, medicali e alimentari.
- Completa rintracciabilità dei materiali
- Elevate portate



Manual Drain

Media / Fluido	Compressed air, inert gases, sweet and sour gases
Port thread / Conessioni	1/4" - 1/2" NPT
Filtering element Elemento filtrante	Coalescing, 40 micron (other on demand)
Max inlet pressure Pressione massima di ingresso	60bar* (SEP applications)
Drain valve / Scarico condensa	manual
Working Temperature Temperatura di esercizio	-20°C up to 80°C (NBR); -25°C up to 90°C (FKM); -40°C up to 80°C (EPDM); -60° up tp 90°C (HNBR)

\*80bar - not PED applications

**It provides excellent filtration for a wide range of applications. Rugged and corrosion resistant - made of 316/316L stainless steel.**

Permette una filtrazione accurata per una vasta gamma di applicazioni. Robusto e resistente alla corrosione - costruito in AISI316/316L.

BUILDING MATERIALS	Materiali costruttivi
Body, bonnet, bowl in Stainless steel AISI316/316L	Corpo, coperchio, tazza in acciaio inossidabile AISI316/316L
Inyternals, bracket, lock and panel nuts, fixing screws in stainless steel	Parti interne, staffa, dadi di bloccaggio e pannello, viti di fissaggio in acciaio inossidabile
Seals in elastomer	Tenute in elastomero
40 micron filtering element in AISI316 stainless steel	Elemento filtrante 40 micron in acciaio inossidabile AISI316
Coalescing filtering element in bonded micro-fibre	Elemento filtrante a coalescenza in microfibra

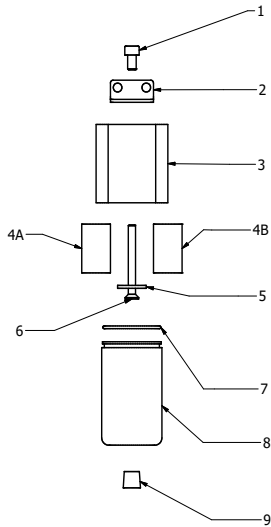
### Accessories

Accessori

Bracket / Staffa	SQ-F60B
------------------	---------

## Product exploded view

Esploso del prodotto



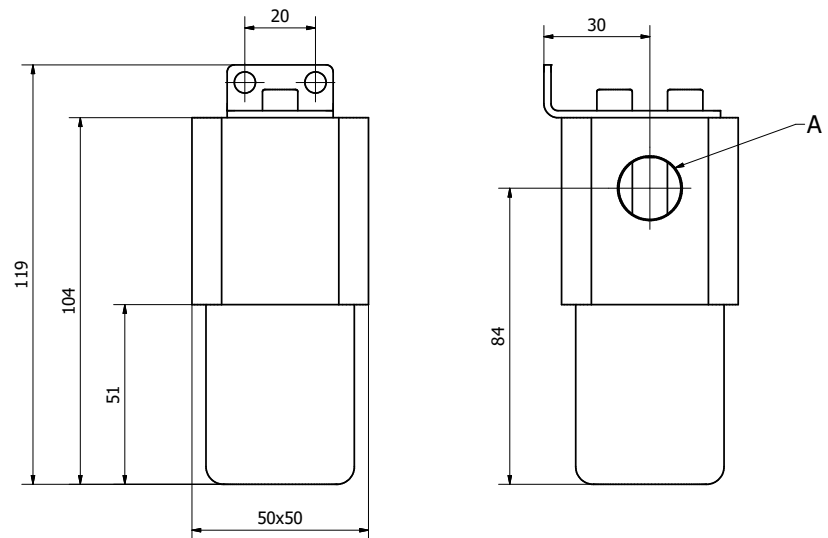
Pos.	Q.ty	Description	Descrizione
1	2	BRACKET SCREWS	VITI STAFFA
2	1	BRACKET	STAFFA
3	1	BODY	CORPO
4a	1	40 MICRON FILTER ELEMENT	ELEMENTO FILTRANTE 40 MIC
4b	1	COALESCING FILTER ELEMENT	ELEM. FILTRANTE COALESCENZA
5	1	FILTER ELEMENT SUPPORT	SUPPORTO ELE. FILTRANTE
6	1	SCREW	VITE
7	1	O'RING	O'RING
8	1	MANUAL DRAIN BOLW	TAZZA SCARICO MANUALE
9	1	MANUAL DRAIN	SCARICO MANUALE

## Overall dimension

Dimensioni di ingombro

F04 A = 1/4"

F08 A = 1/2"



## Ordering informations

Come ordinare

**TYPE**  
F= Filter

**SIZE**  
04= 1/4" NPT  
08= 1/2" NPT

**MATERIAL**  
SS= 316-316L Stainless steel

**Specials**  
60B= high pressure version

**F 08 0 1 00 0 0 SS FK 2 - 6 0 B**

**FILTER ELEMENT**  
3= 40 micron  
4= coalescing

**DIAPHRAGM & SEALS MATERIAL**  
FK= FKM ( WT-25° +90°C )  
NB= NBR ( WT-20° +80°C )  
LT= EPDM ( WT-40° +80°C )  
HN= LT HNBR (WT -60°+90°C)

**ACCESSORIES**  
0= None  
2= SS bracket kit  
4= Customised Tag  
6= SS bracket kit  
+customised Tag