



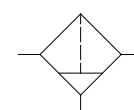


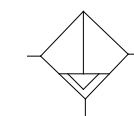
AISI316L 1 1/2"-2"NPT filter – F serie

Filtro da 1 1/2"- 2"NPT in AISI316L – serie F

- Suitable to automation equipment, to onshore, offshore, pharmaceutical, medical and food applications
- Full material traceability
- High flow capacity
- ATEX 2014/34/UE  II 2G Ex h IIC T6/T5 Gb X
II 2D Ex h IIIC T85°C/T100°C Db X
-  &  approved /IP66
- Adatto per automazione in applicazioni marine, petrolchimiche, farmaceutiche, medicali e alimentari.
- Completa rintracciabilità dei materiali
- Elevate portate
- ATEX 2014/34/UE  II 2G Ex h IIC T6/T5 Gb X
II 2D Ex h IIIC T85°C/T100°C Db X
- Approvato  ed  / IP66



Manual Drain



Automatic Drain

Media / Fluido	Compressed air, inert gases, sweet and sour gases
Port thread / Connessioni	1 1/2"-2" NPT
Gauge Connection Connessione manometro	1/4"NPT (1/8"NPT option)
Filtering element Elemento filtrante	coalescing or 5, 25, 40 micron in st. st. 316
Max inlet pressure / Pressione massima di ingresso	20bar*
Drain valve/ Scarico condensa	Manual or automatic
Flow Rate (@6 bar Inlet pressure, delta P=0.35bar)/ Portata	1 1/2" - 21000dm ³ /min Cv=34,5 2" - 29000dm ³ /min Cv=46,5
Working temperature / Temperatura di esercizio	-20°C up to 80°C (NBR); -25°C up to 90°C (FKM); -40°C up to 80°C (EPDM); -60° up tp 90°C (FVMQ)**

Air supply must be dry enough to avoid ice formation at temperatures below +2°C (+35°F).

*NB: for auto drain: 16bar / for gas usage: 15bar (in accordance with 2014/68/EU)

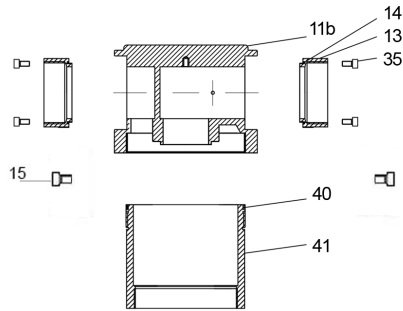
**Special version in HNBR (WT -60°C + 90°C)

It provides excellent filtering for a wide range of applications. Rugged and corrosion-resistant – made of 316L stainless steel / Permette una filtrazione accurata per una vasta gamma di applicazioni. Robusto e resistente alla corrosione – Costruito in acciaio inossidabile 316L

BUILDING MATERIALS	Materiali costruttivi
Body, bonnet, bowl in Stainless steel AISI316/316L	Corpo, coperchio, tazza in acciaio inossidabile AISI316/316L
Internals, bracket, lock and panel nuts, fixing screws in stainless steel	Parti interne, staffa, dadi di bloccaggio e pannello, viti di fissaggio in acciaio inossidabile
Seals in elastomer	Tenute in elastomero
5, 25, 40 micron filtering element in AISI316 stainless steel	Elemento filtrante da 5, 25 e 40 micron in acciaio inossidabile AISI316
Coalescing filtering element in bonded micro-fibre	Elemento filtrante a coalescenza in microfibra

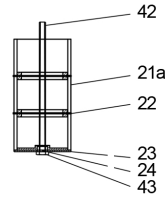
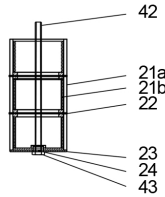
Product exploded view

Esploso del prodotto



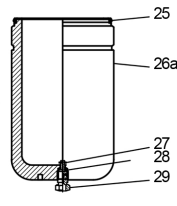
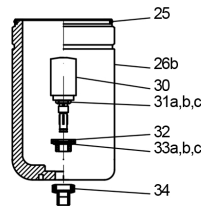
FILTER ELEMENT 5M

FILTER ELEMENT 25M



AUTOMATIC DRAIN

MANUAL DRAIN



Pos.	Q.ty	Description	Descrizione
11b	1	BODY	CORPO
13	2	CONNECTION	TERMINALI FILETTATI
14	2	CONNECTION O'RING	O'RING TERMINALI
15	2	BRACKET SCREW	STAFFA
20	1	FILTER ELEMENT SUPPORT	SUPPORTO ELE. FILTRANTE
21a	3	FILTER ELEMENT 5 MICRON	ELEMENTO FILTRANTE 5 MIC
21b	3	FILTER ELEMENT 25 MICRON	ELEMENTO FILTRANTE 25 MIC
22	1	FILTER ELEMENT RING	ANELLO ELEMENTO FILTRANTE
23	1	FILTER ELEMENT PLUG	BASE ELEMENTO FILTRANTE
24	1	NUT M6	DADO M6
25	1	O'RING BOWL	O'RING TAZZA
26a	1	MANUAL DRAIN BOWL	TAZZA SCARICO MANUALE
26b	1	AUTOMATIC DRAIN BOWL	TAZZA SCARICO AUTOMATICO
27	1	BENZIN	ANELLO BENZIN
28	1	O'RING DRAIN	O'RING DRAIN
29	1	MANUAL DRAIN	SCARICO MANUALE
30	1	AUTOMATIC DRAIN	SCARICO AUTOMATICO
31	1	O'RING AUTO DRAIN	O'RING SCARICO AUTO
32	1	AUTOMATIC DRAIN SEAT	SEDE SCARICO AUTOMATICO
33	1	O'RING AUTO DRAIN	O'RING SCARICO AUTO
34	1	AUTOMATIC DRAIN SEAT	SEDE SCARICO AUTOMATICO
35	8	SCREW M6X25 DIN 912 A2	VITI M6X25
40	1	O'RING	O'RING
41	1	BOWL ADAPTER	ADATTATORE
42	1	FILTER ELEMENT SCREW	VITE ELEMENTO FILTRANTE
43	1	M6 NUT	DADO M6

www.sitecna.eu

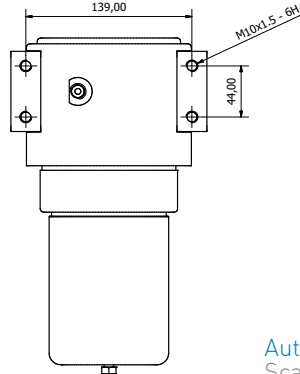
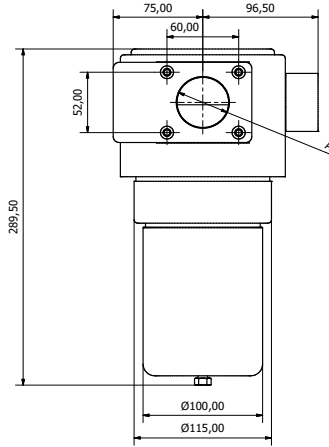
BT-F32SS/C23B

Overall dimension

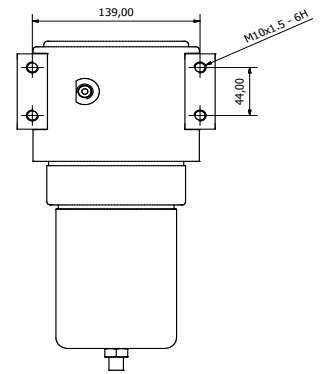
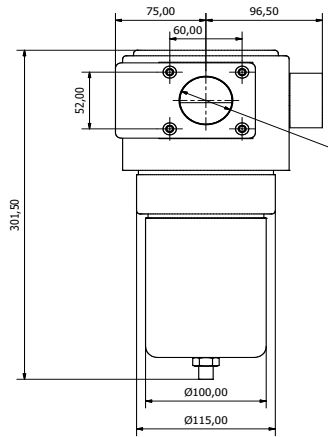
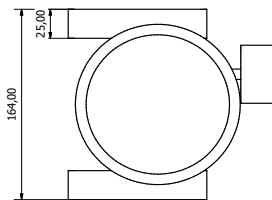
Dimensioni di ingombro

Manual drain

Scarico manuale

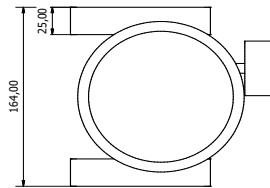


Automatic drain
Scarico automatico



Note for automatic drain:
- max inlet pressure 16bar
- not recommended for $T < 2^{\circ}\text{C}$

Nota per scarico automatico:
- massima pressione di utilizzo 16bar
- non raccomandato per $T < 2^{\circ}\text{C}$



Accessories and repair kit

Accessori e ricambi

Maintenance kit / Kit manutenzione	Items K-F32- *-0-SS- **
Pressure gauge DN40mm, SS case, Bar+psi+kpa range / Manometro DN40mm, tutto inox, scala Bar+psi+kpa	0-2,5 bar MBS6P4S2PN04 0-4bar MBS6P4S2PN05 0-10bar MBS6P4S2PN07

* Refers to filter element option: 1→5 micron 2→25 micron 3→40 micron 4→coalescing

** Refers to seals type: FK→FKM NB→NBR LT→EPDM FL→FVMQ HN→HNBR