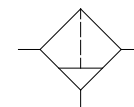


AISI316L 3/8" - 1/2" NPT filter – F serie

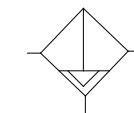
Filtro da 3/8" - 1/2"NPT in AISI316L – serie F

- Suitable to automation equipment, to onshore, offshore, pharmaceutical, medical and food applications
- Full material traceability
- High flow capacity
- ATEX 2014/34/UE II 2G Ex h IIC T6/T5 Gb X
II 2D Ex h IIIC T85°C/T100°C Db X
- & approved /IP66

- Adatto per automazione in applicazioni marine, petrolchimiche, farmaceutiche, medicali e alimentari.
- Completa rintracciabilità dei materiali
- Elevate portate
- ATEX 2014/34/UE II 2G Ex h IIC T6/T5 Gb X
II 2D Ex h IIIC T85°C/T100°C Db X
- Approvato ed / IP66



Manual Drain



Automatic Drain

Media / Fluido	Compressed air, inert gases, sweet and sour gases
Port thread / Conessioni	3/8"-1/2" NPT
Gauge Connection Connessione manometro	1/8"NPT (1/4"NPT option)
Filtering element Elemento filtrante	Coalescing or 3, 5, 25, 40 micron in st. st. 316
Max inlet pressure Pressione massima di ingresso	30bar (16bar automatic drain version)
Drain valve / Scarico condensa	manual or automatic
Flow Rate (at 6 bar Inlet pressure, delta P=0.5bar)/ Portata	1/2" - 4815 dm3/min Cv=6,6
Working Temperature Temperatura di esercizio	-20°C up to 80°C (NBR); -25°C up to 90°C (FKM); -40°C up to 80°C (EPDM); -55° up tp 90°C (FVMQ)*

Air supply must be dry enough to avoid ice formation at temperatures below +2°C (+35°F).

*Special version in HNBR (WT -55°C + 90°C)

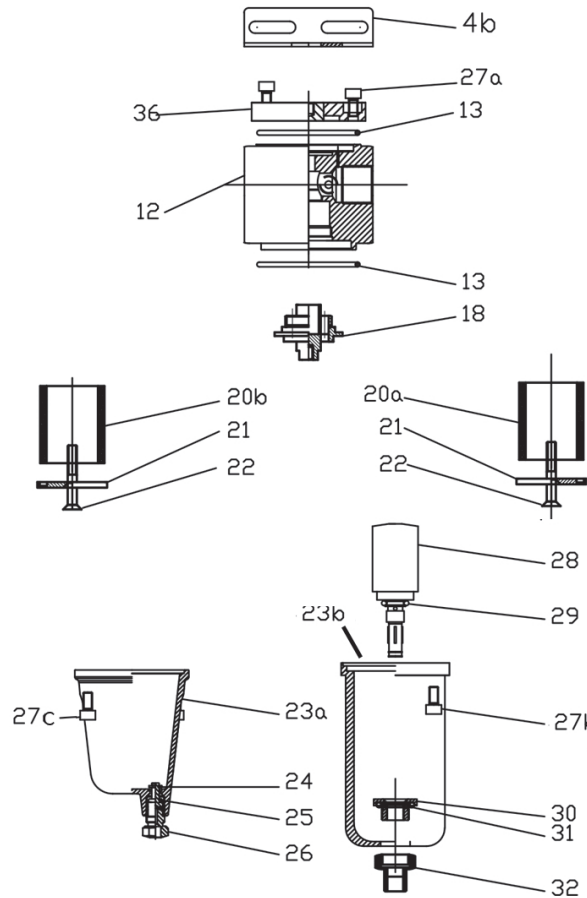
It provides excellent filtration for a wide range of applications. Rugged and corrosion resistant - made of 316/316L stainless steel.

Permette una filtrazione accurata per una vasta gamma di applicazioni. Robusto e resistente alla corrosione - costruito in AISI316/316L.

BUILDING MATERIALS	Materiali costruttivi
Body, bonnet, bowl in Stainless steel AISI316/316L	Corpo, coperchio, tazza in acciaio inossidabile AISI316/316L
Inyternals, bracket, lock and panel nuts, fixing screws in stainless steel	Parti interne, staffa, dadi di bloccaggio e pannello, viti di fissaggio in acciaio inossidabile
Seals in elastomer	Tenute in elastomero
3, 5, 25, 40 micron filtering element in AISI316 stainless steel	Elemento filtrante da 3, 5, 25 e 40 micron in acciaio inossidabile AISI316
Coalescing filtering element in bonded micro-fibre	Elemento filtrante a coalescenza in microfibra

Product exploded view

Esploso del prodotto



Pos.	Q.ty	Description	Descrizione
4b	1	BRACKET F04	STAFFA
12	1	BODY	CORPO
13	2	O-RING 50,47 x 2,62	O-RING 50,47 x 2,62
18	1	FILTER ELEMENT SUPPORT	SUPPORTO ELE. FILTRANTE
20a	1	FILTER ELEMENT 5 MICRON	ELEMENTO FILTRANTE 5 MIC
20b	1	FILTER ELEMENT 25 MICRON	ELEMENTO FILTRANTE 25 MIC
21	1	FILTER ELEMENT PLUG	BASE ELEMENTO FILTRANTE
22	1	SCREW M5X30	VITE M5X30
23a	1	MANUAL DRAIN BOLW	TAZZA SCARICO MANUALE
23b	1	AUTOMATIC DRAIN BOLW	TAZZA SCARICO AUTOMATICO
24	1	BENZIN	ANELLO BENZIN
25	1	O-RING DRAIN 3,69x1,78	O-RING DRAIN 3,69x1,78
26	1	MANUAL DRAIN	SCARICO MANUALE
27a	4	SCREW M5X10	VITI PIATTELLO SPERIORE M5X10
27b	4	SCREW AUTO DRAIN M5X16	VITI SCARICO AUTO M5X16
27c	4	SCREW MAN DRAIN M5X10	VITI SCARICO MANUALE M5X10
28	1	AUTOMATIC DRAIN	SCARICO AUTOMATICO
29	1	O-RING AUTO DRAIN 9,92x2,62	O-RING SCARICO AUTO 9,92x2,62
30	1	AUTOMATIC DRAIN SEAT	SEDE SCARICO AUTOMATICO
31	1	O-RING AUTO DRAIN 15,54x2,62	O-RING SCARICO AUTO 15,54x2,62
32	1	AUTOMATIC DRAIN SEAT	SEDE SCARICO AUTOMATICO
36	1	FILTER TOP	PIATTELLO SUPERIORE

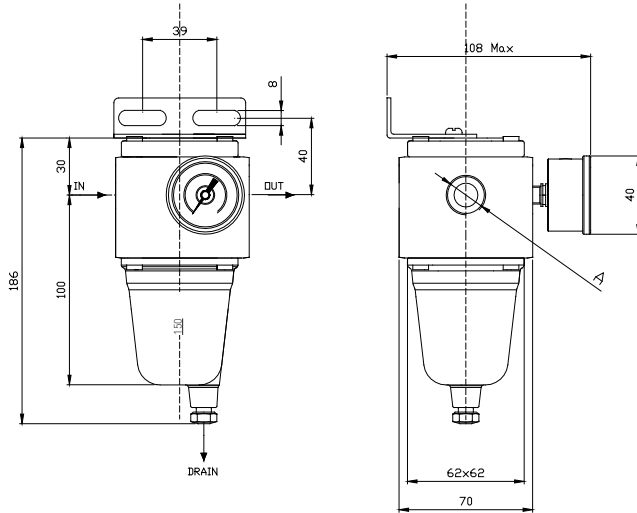
www.sitecna.eu

Overall dimension

Dimensioni di ingombro

Manual drain

Scarico manuale



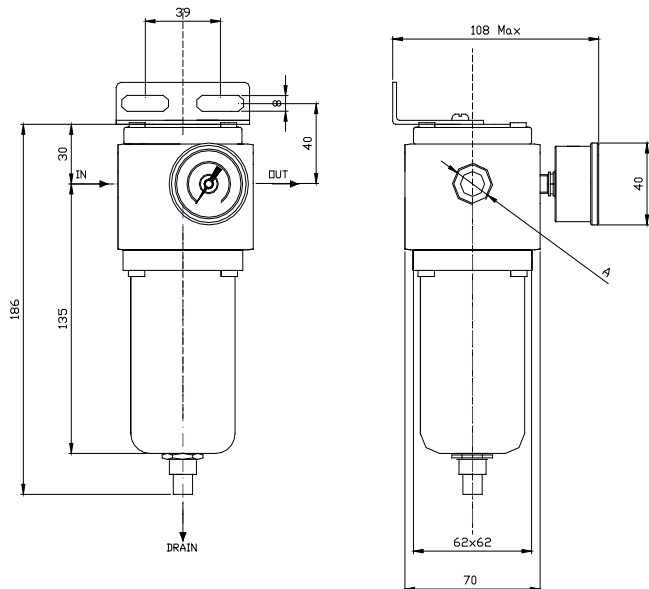
F06 A = 3/8"
F08 A = 1/2"

Automatic drain

Scarico automatico

Note for automatic drain:
- max inlet pressure 16bar
- not recommended for $T < 2^{\circ}\text{C}$

Nota per scarico automatico:
- massima pressione di utilizzo 16bar
- non raccomandato per $T < 2^{\circ}\text{C}$



Accessories and repair kit

Accessori e ricambi

Maintenance kit / Kit manutenzione	Items K-F08-*-SS-**
Pressure gauge DN40mm, all SS Bar+psi+kpa range / Manometro DN40mm, tutto inox, scala Bar+psi+kpa	0-2,5 bar MBS6P4S2PN04 0-4bar MBS6P4S2PN05 0-10bar MBS6P4S2PN07
Bracket / Staffa	SQ-FR04/S

* Refers to filter element option: 1→5 micron; 2→25 micron; 3→40 micron ; 4→coalescing; 5→3 micron

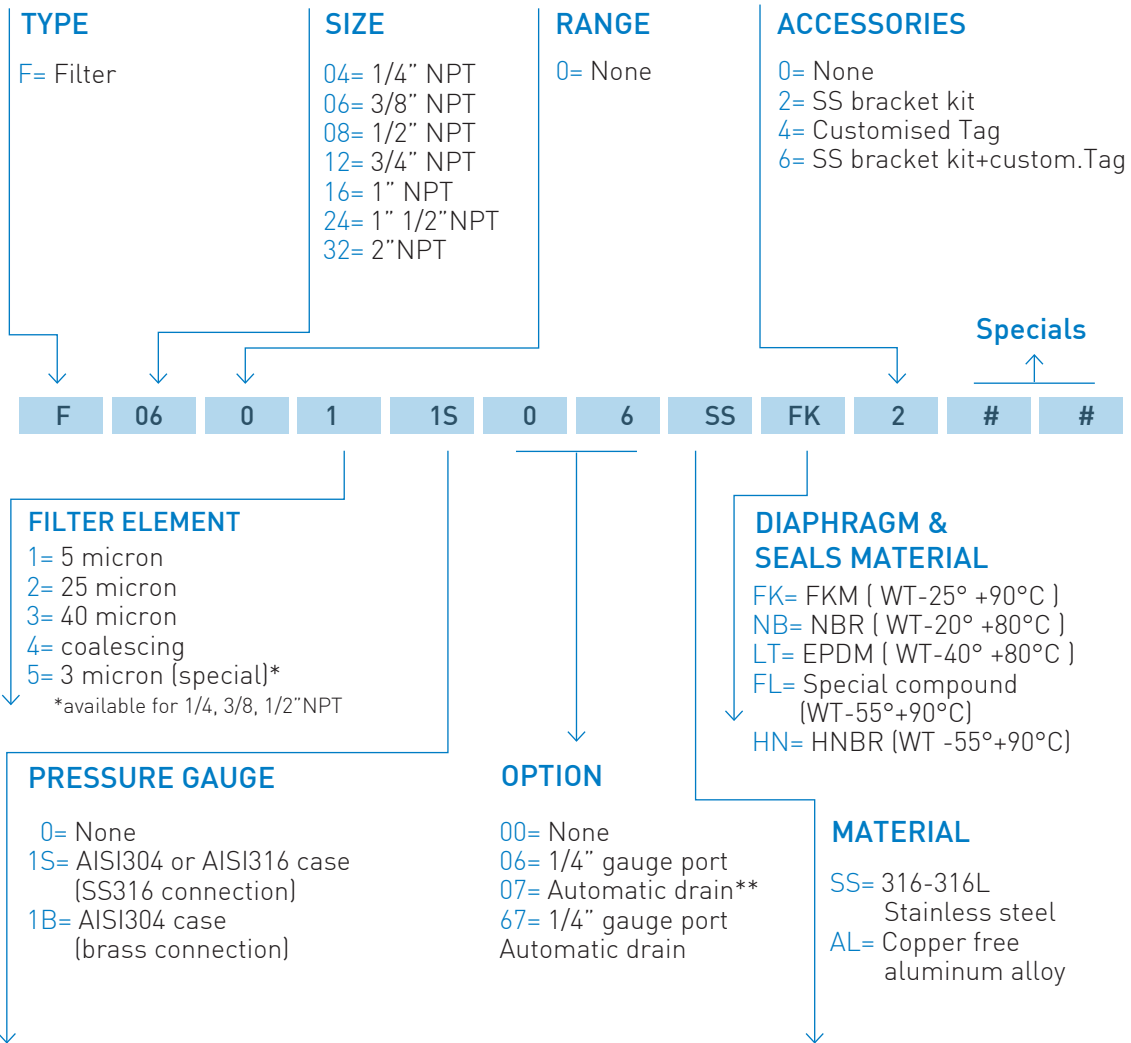
** Refers to seals type: FK→FKM NB→NBR LT→EPDM FL→FVMQ HN→HNBR

BT-F08SS/C20C

Ordering information - Filters

Come ordinare - Filtri

www.sitecna.eu



CODE EXAMPLES

F 04 0 4 1S 0 0 SS FK 2

1/4" NPT, SS316 filter regulator, with coalescing filtering element, SS pressure gauge, manual drain, ss bracket kit and FKM diaphragm & seals
Filtro da 1/4" NPT in AISI316, elemento filtrante da coalescenza, manometro tutto inox, scarico condensa manuale, staffa inox, diaframma e tenute in FKM



F 32 0 1 00 0 7 AL NB 0

2" NPT, aluminum alloy filter, with 5 micron filtering element, automatic drain and NBR diaphragm & seals
Filtro da 2" NPT in alluminio esente rame, elemento filtrante da 5 micron, scarico condensa automatico, diaframma e tenute in FKM

**** Nota for automatic drain: use not recommended for T > 2°C (under this T the moisture in the medium could freeze and cause drain malfunction or breaking) / Nota per scarico automatico: uso non raccomandato per T > 2°C (sotto questa T la condensa può ghiacciare e causare malfunzionamenti o rotture).**

01-F/20A