

CONSTRUCTION

- Brass construction. Most valves are made from extruded bodies.
- Metal to metal seats

ADVANTAGES

- Use with copper, aluminum, steel and plastic tubing as applicable
- Excellent for general service with metering capabilities
- Pressure range up to 150 psi

ORDERING INFORMATION

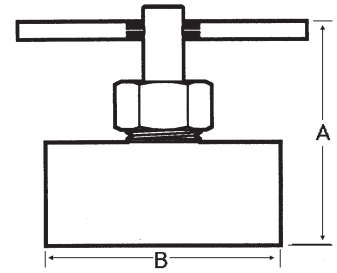
- Order using indicated part number
- Part number indicates style and size
- Compression valves are complete with nuts and sleeves series C1

NOTES

- Non-stock items and special parts are available on a quotation basis.
- Configurations and dimensions are subject to change without notice.

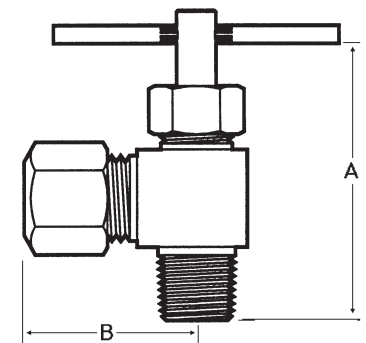
R1 NEEDLE VALVE FEMALE FEMALE NPT

PART NUMBER	NPT PIPE THREAD	A	B
R102FL02FLN	1/8"X1/8"	1.60"	1.25"
R104FL04FLN	1/4"X1/4"	1.80"	1.25"



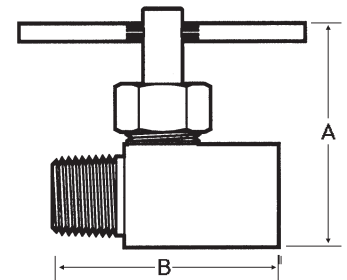
R1 NEEDLE VALVE COMPRESSION TO MALE NPT 90°

PART NUMBER	O.D. TUBE	NPT PIPE THREAD	A	B
R104C9A02MAN	1/4"	1/8"	1.80"	0.80"
R104C9A04MAN	1/4"	1/4"	2.10"	0.90"
R105C9A02MAN	5/16"	1/8"	1.80"	0.90"
R106C9A02MAN	3/8"	1/8"	2.20"	1.00"
R106C9A04MAN	3/8"	1/4"	2.20"	1.00"



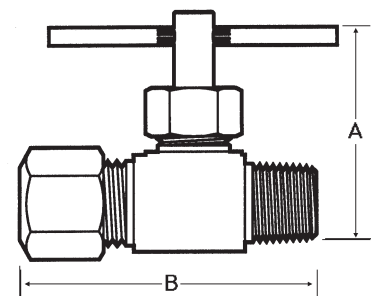
R1 NEEDLE VALVE MALE FEMALE NPT

PART NUMBER	NPT PIPE THREAD	A	B
R102FL02MLN	1/8"X1/8"	1.30"	1.25"
R104FL04MLN	1/4"X1/4"	1.86"	1.87"



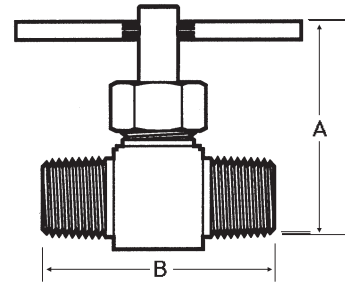
R1 NEEDLE VALVE COMPRESSION TO MALE NPT

PART NUMBER	O.D. TUBE	NPT PIPE THREAD	A	B
R104C9L02MLN	1/4"	1/8"	1.50"	1.50"
R104C9L04MLN	1/4"	1/4"	1.40"	1.60"
R105C9L02MLN	5/16"	1/8"	1.50"	1.50"
R106C9L04MLN	3/8"	1/4"	1.80"	1.80"



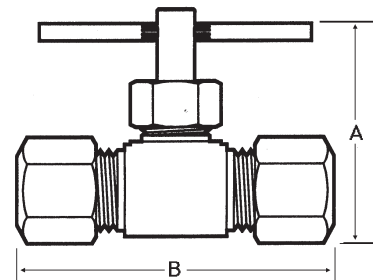
R1 NEEDLE VALVE MALE MALE NPT

PART NUMBER	O.D. TUBE	A	B
R102ML02MLN	1/4"X1/4"	1.30"	1.50"
R104ML04MLN	3/8"X3/8"	1.70"	1.88"



R1 NEEDLE VALVE COMPRESSION TO COMPRESSION

PART NUMBER	O.D. TUBE	A	B
R104C9L04C9L	1/4"X1/4"	1.30"	1.80"
R105C9L05C9L	5/16"X5/16"	1.20"	1.70"
R106C9L06C9L	3/8"X3/8"	1.90"	1.80"



AF32 NEEDLE DRAIN COCK – PIPE NPT

PART NUMBER	NPT PIPE THREAD	A	B
AF320D	1/8"	0.88"	0.54"
AF321D	1/4"	1.06"	0.68"
AF322D	3/8"	1.25"	0.79"

