

Quick disconnect couplers



QUICK DISCONNECT COUPLERS – AP series

CONSTRUCTION

- * Chrome plated brass or SS316 barstock
- * Stainless steel spring
- * NBR seals standard (Viton seals as an option)
- * Nylon or brass sleeves for tubing connections
- * NPT threads standard (other as an option)

ADVANTAGES

- * Very small and compact
- * Suitable for pneumatic or instrumentation applications
- * Choice of materials for different applications
- * Safe working pressure to 150psi
- * Suitable with air and compatible gases
- * Compatible tubings : Impolene, Soft metal, Polyethylene, Polypropylene, Nylon, Polyvinyl chloride , Polyallomer
- * Quick delivery and competitive price

ORDERING INFORMATION

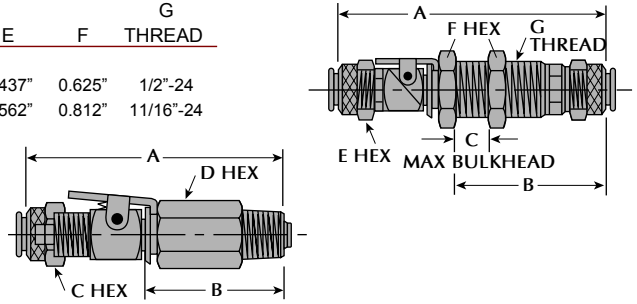
- * Order using indicated part number
- * Part number indicates style and size

NOTES

- * Non stock items and special parts are available on a quotation basis
- * Configurations and dimensions are subject to change without notice

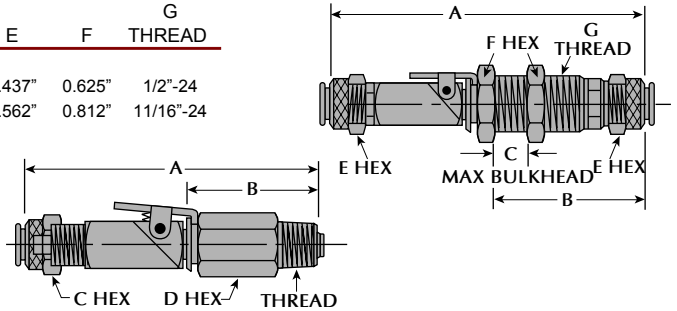
AAP SS316/CHROME PLATED BRASS SINGLE END SHUT-OFF

PART NUMBER	O.D. TUBE	NPT PIPE THREAD	A	B	C	D	E	F	G
AAP94-P-4*	1/4"(6.35mm)	NA	3.000"	1.718"	0.812"		0.437"	0.625"	1/2"-24
AAP94-P-6*	3/8"(9.52mm)	NA	3.562"	1.921"	0.937"		0.562"	0.812"	11/16"-24
AAP98-P-4X2*	1/4"(6.35mm)	1/8"	2.312"	1.281"	0.437"	0.500"			
AAP98-P-4X4*	1/4"(6.35mm)	1/4"	2.312"	1.281"	0.437"	0.562"			
AAP98-P-6X4*	3/8"(9.52mm)	1/4"	2.625"	1.421"	0.562"	0.625"			



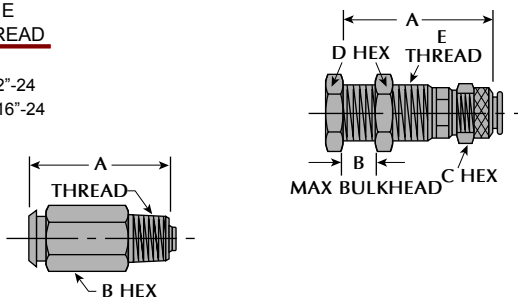
AAP SS316/CHROME PLATED BRASS DOUBLE END SHUT-OFF

PART NUMBER	O.D. TUBE	NPT PIPE THREAD	A	B	C	D	E	F	G
AAP94-D-4*	1/4"(6.35mm)	NA	3.672"	1.790"	0.880"		0.437"	0.625"	1/2"-24
AAP94-D-6*	3/8"(9.52mm)	NA	3.823"	1.965"	0.944"		0.562"	0.812"	11/16"-24
AAP98-D-4X2*	1/4"(6.35mm)	1/8"	2.888"	1.281"	0.437"	0.500"			
AAP98-D-4X4*	1/4"(6.35mm)	1/4"	2.910"	1.270"	0.437"	0.562"			
AAP98-D-6X4*	3/8"(9.52mm)	1/4"	3.015"	1.400"	0.562"	0.625"			



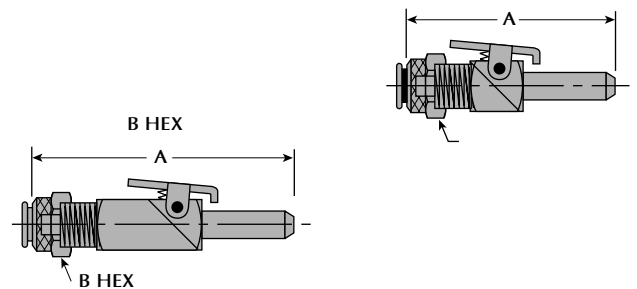
AAP SS316/CHROME PLATED BRASS VALVED SHUT-OFF BODY ONLY

PART NUMBER	O.D. TUBE	NPT PIPE THREAD	A	B	C	D	E
AAP94-B-4*	1/4"(6.35mm)	NA	1.790"	0.625"	0.437"	0.625"	1/2"-24
AAP94-B-6*	3/8"(9.52mm)	NA	1.965"	0.812"	0.562"	0.812"	11/16"-24
AAPP8-T-4X2*	1/4"(6.35mm)	1/8"	1.281"	0.500"			
AAP98-T-4X4*	1/4"(6.35mm)	1/4"	1.270"	0.562"			
AAP98-T-6X4*	3/8"(9.52mm)	1/4"	1.400"	0.625"			



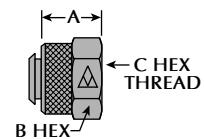
AAP SS316/CHROME PLATED BRASS VALVED (MD) / NON VALVED (M) SHUT-OFF BODY ONLY

PART NUMBER	O.D. TUBE	USED WITH	A	B
AAP94-M-4*	1/4"(6.35mm)	AAP98-T-4X2 AAP98-T-4X4	1.693"	0.437"
AAP94-M-6*	3/8"(9.52mm)	AAP98-T-6X4	1.925"	0.562"
AAP94-MD-4*	1/4"(6.35mm)	AAP98-T-4X2 AAP98-T-4X4	2.402"	0.437"
AAP94-MD-6*	3/8"(9.52mm)	AAP98-T-6X4	2.460"	0.562"



AAP SS316/CHROME PLATED BRASS NUT & PLASTIC SLEEVE ASSEMBLY

PART NUMBER	O.D. TUBE	A	B	C
AAPC61-P-4*	1/4"(6.35mm)	0.343"	0.437"	3/8"-24
AAPC61-P-6*	3/8"(9.52mm)	0.375"	0.562"	1/2"-24



* For SS316 couplings add 'SS' at the end of every code