

AISI316L 3/4", 1"NPT directional control spool valves - DP serie

Valvole di controllo a cassetto in AISI316L 3/4", 1"NPT - serie DP

www.sitecna.eu

- Suitable for automation equipment to onshore, offshore, pharmaceutical, medical and food applications
- Full material traceability
- 3/2 or 5/2 Functions
- 3/4" & 1" (DN21mm) size
- Suitable for multidirectional flow
- Provided with through-holes in the body
- Suitable for dual pressure application
- Suitable for control and instrument gases
- High flow rate for the compact size of the valve
- ATEX 2014/34/UE II 2G Ex h IIC T6/T5 Gb X*
- II 2D Ex h IIIC T85°C/T100°C Db X
- & approved*
- SIL 3 - IEC 61508 (pilot operated models) *



- Adatto per automazione in applicazioni marine, petrolchimiche, farmaceutiche, medicali e alimentari
- Completa rintracciabilità dei materiali
- Funzioni 3/2 e 5/2
- Taglie da 3/4" e 1" (DN21mm)
- Adatte per flussi multidirezionali
- Dotate di fori passanti sul corpo
- Idonee per gas di controllo e strumentale

- Alte portate per le dimensioni compatte della valvola
- Adatte per applicazioni con doppia pressione
- ATEX 2014/34/UE II 2G Ex h IIC T6/T5 Gb X*
- II 2D Ex h IIIC T85°C/T100°C Db X
- Approvato ed *
- SIL 3 - IEC61508 *
(modelli con azionamento pneumatico)

Media / Fluido	Compressed air, inert gases, sweet and sour gases
Port thread / Connessioni	3/4", 1"NPT
Working Pressure Pressione di lavoro	12 bar
Minimum pilot pressure Pressione minima di pilotaggio	2.5bar
Working temperature / Temperatura di esercizio	-20°C up to 80°C (NBR); -25°C up to 90°C (FKM); -55°C + 90°C (HNBR)
Orefice/Orifizio	dn 16 mm (3/4") dn 21 mm (1")

Air supply must be dry enough to avoid ice formation at temperatures below +2°C (+35°F).

TYPES

- Operator: Air pilot / Return: Spring
- Operator: Air pilot / Return: Pilot

Modelli

- Azionamento: Pneumatico / Ritorno: Molla
- Azionamento: Pneumatico / Ritorno: Pneumatico

BUILDING MATERIALS	Materiali costruttivi
Body, end adapters, spool in 316L stainless steel	Corpo, adattatori terminali e spola in acciaio inossidabile AISI316L
Screws and springs in stainless steel	Viti e molle in acciaio inossidabile
Gasket & seals in elastomer	Guarnizioni e tenute in elastomero

* Pending

BT-DP16SS/C24A

Overall dimension & pneumatic diaphragm

Dimensioni di ingombro e schema pneumatico

Operator: Air pilot / Return: Spring

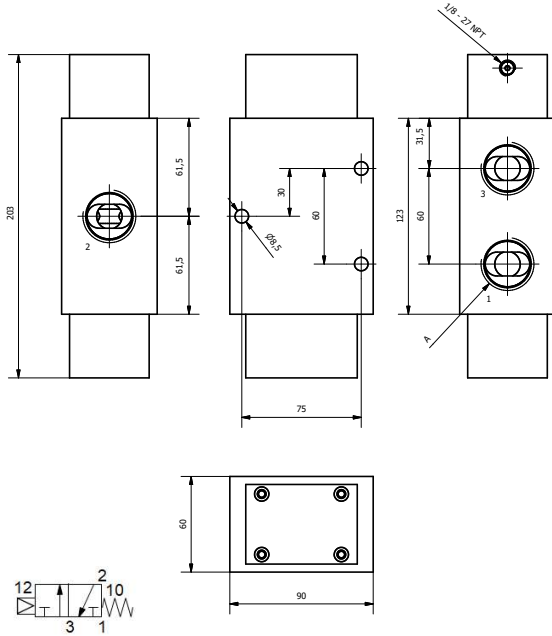
Azionamento: Pneumatico / Ritorno: molla

Example code:

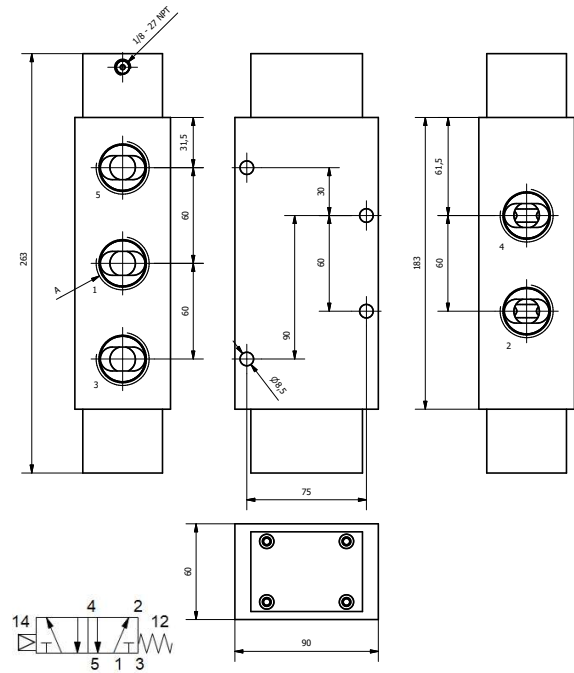
A= 3/4" : DP32SS14NNB

A= 1" : DP32SS16NNB

3/2



5/2



Operator: Air pilot / Return: Pilot

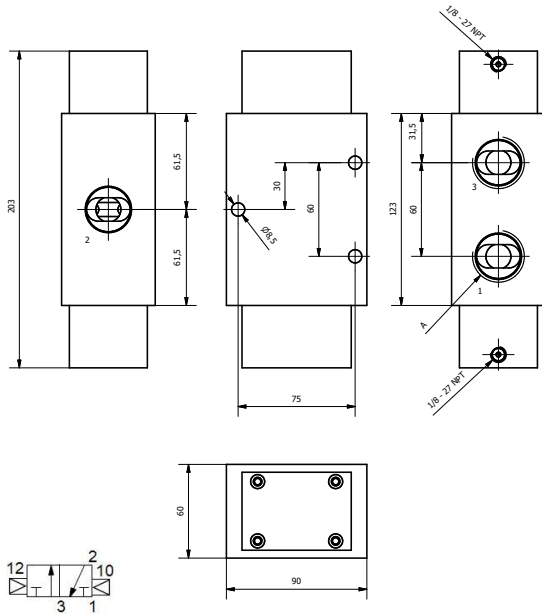
Azionamento: Pneumatico / Ritorno: pneumatico

Example code:

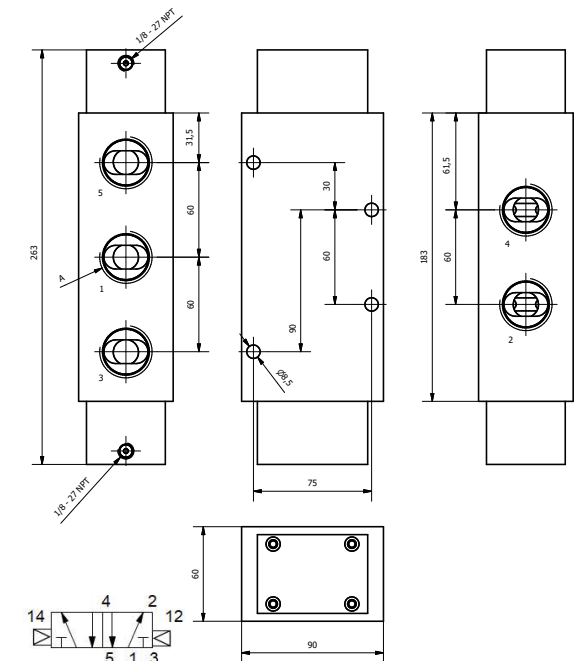
A= 3/4" : DPP32SS14NNB

A= 1" : DPP32SS16NNB

3/2



5/2



Ordering information - Spool valves

Come ordinare - valvole a cassetto

www.sitecna.eu

TYPE

- DP = Operator: Air pilot / Return: Spring
- DP.....-IR = Operator: Air pilot / Return: Spring + internal relief
- DPP = Operator: Air pilot // Return: Air Pilot
- DP.....-M1 = Operator: Knob push-pull / Return: Spring
- DP.....-M2* = Operator: Knob push-pull/ Return: Knob push-pull
- DP.....RM = Operator: Air pilot // Return: Spring (manual reset)
- DP.....RM1 = Operator: Air pilot / & manual / Return: Spring (manual reset)
- DP.....W1 = Operator: Roller Lever / Return: Spring (only 1/4"NPT)

DP 32 AL 04N FK -M1

WAYS

- 32= 3 ways, 2 positions
- 52= 5 ways, 2 positions

DIAPHRAGM & SEALS MATERIAL

- FK= FKM (WT-25° +90°C)
- NB= NBR (WT-20° +80°C)
- HN= HNBR (WT -55°+90°C)

MATERIAL

- SS= 316-316L
Stainless steel
- AL= Copper free
aluminum alloy
with epoxy paint

SIZE

- 04N= 1/4"NPT (DN8mm)
- 06N= 3/8"NPT (DN12mm)
- 08N= 1/2"NPT (DN12mm)
- 12N= 3/4"NPT (DN12mm)
- 14N= 3/4"NPT (DN16mm)**
- 16N= 1"NPT** (DN21mm)



CODE EXAMPLES

DP 32 AL 04N FK -M1

1/4"NPT, aluminum alloy with epoxy paint, 3 ways 2 positions, knob operated with spring return spool valve, with FKM seals
Valvola a cassetto da 1/4"NPT in alluminio esente rame, 3 vie 2 posizioni, azionamento manuale, ritorno a molla, tenute in FKM

DPP 52 SS 08N HN

1/4"NPT, SS316, 5 ways 2 positions, pilot operated with pilot return spool valve, with HNBR seals
Valvola a cassetto da 1/2"NPT in AISI316, 5 vie 2 posizioni, doppio azionamento pneumatico, tenute in HNBR

* Lockable version available

** Available only Air Pilot/Spring & Air Pilot/Air Pilot versions - No HNBR seals available

01-DP/24A